

TECHNICAL INFORMATION

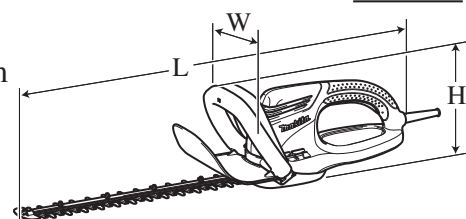


PRODUCT

P 1 / 7

Model No. ▶ UH6570/ UH5570/ UH4570

Description ▶ Hedge Trimmers 650mm/ 550mm/ 450mm



CONCEPT AND MAIN APPLICATIONS

Models UH6570/UH5570/UH4570 for semiprofessional applications have been developed as the successors to the current UH6350/UH5550/UH4850/UH4050, featuring renewed external appearance and more improved handling.

Dimensions for North America: mm (")		
Model No.	UH6570	UH5570
Length (L)	1,136 (44-3/4)	1,031 (40-1/2)
Width (W)	223 (8-3/4)	
Height (H)	206 (8-1/8)	

Dimensions for other countries: mm (")			
Model No.	UH6570	UH5570	UH4570
Length (L)	1,042 (41)	970 (38-1/4)	862 (34)
Width (W)	223 (8-3/4)		
Height (H)	206 (8-1/8)		

► Specification

Voltage (V)	Current (A)	Cycle (Hz)	Continuous Rating (W)		Max. Output (W)
			Input	Output	
110	5.3	50/60	550	230	500
120	4.8	50/60	---	230	500
220	2.6	50/60	550	230	500
230	2.5	50/60	550	230	500
240	2.4	50/60	550	230	500

Specifications	Model No.	UH6570	UH5570	UH4570
Blade length: mm (")		650 (25-1/2)	550 (21-5/8)	450 (17-3/4)
No load speed: min-1=spm*1		1,600		
Tooth pitch	North America	1/2"		
	Other countries	28mm		
Protection from electric shock		Double insulation		
Power supply cord: m (ft)		0.3 (0.98)*2		
Net weight: kg (lbs)		3.7 (8.1)	3.6 (7.9)	3.5 (7.7)

*1: spm= strokes per minute

*2: Kuwait: 2.5m (8.2ft)

► Standard equipment

- Blade cover 1
- Hook complete 1
- Cord holder complete set 1
- Extension cord (10m) 1 (for UK [240V] only)

Note: The standard equipment for the tool shown above may differ by country.

► Optional accessories

- Shear blade assembly set
- Blade cover
- Hook complete
- Cord holder complete set
- Arm band complete set
- Chip receiver assembly set

► Repair

CAUTION: Unplug the machine for safety before repair/ maintenance !

[1] NECESSARY REPAIRING TOOLS

Code No.	Description	Use for
1R263	Bearing extractor	Removing Gear housing cover

[2] LUBRICATION

Apply Makita grease N. No.2 to the following portion to protect parts and product from unusual abrasion. Refer to **Fig. 5**.

- 1) Gear room (6g: Refer to **Fig. 5**.)
- 2) Crank portion (a little: Refer to **Fig. 4**)
- 3) Shaft ends of Gear complete (a little: Refer to **Fig. 5**.)

[3] DISASSEMBLY/ASSEMBLY

[3] -1. Shear blade ass'y and Gear complete

DISASSEMBLING

- 1) Turn the machine upside down and keep it in a horizontal position by the use of a horizontal portion of Front grip.
- 2) Remove four M4x25 Pan head screws and Under cover. (**Fig. 1**)
Note: Set Blade cover in place to prevent being injured as illustrated in **Fig. 1**.
- 3) Remove Gear housing cover complete by levering with 1R263 or slotted screwdriver. (**Fig. 2**)
- 4) Turn crank portion with slotted screwdriver inserted to the groove on Spindle. (**Fig. 3**) Two oval holes of Shear blades and the crank portion of Gear complete have to be aligned as illustrated in **Fig. 3**.
- 5) Loosen two M5x25 Pan head screws (threadlocker type) and separate Shear blade ass'y from the machine. (**Fig. 4**)
Note: 1. Leave the two M5x25 Pan head screws in their holes of Shear blade ass'y when setting Shear blade ass'y in place without disassembly.
 Removing two M5x25 Pan head screws may cause misalignment of holes of the components of Shear blade ass'y.
 2. Leave Dust guard in the groove of Gear housing complete.
- 6) Pull out Gear complete from Gear housing. (**Fig. 5**)
Note: Do not lose two Flat washers 8.

Fig. 1

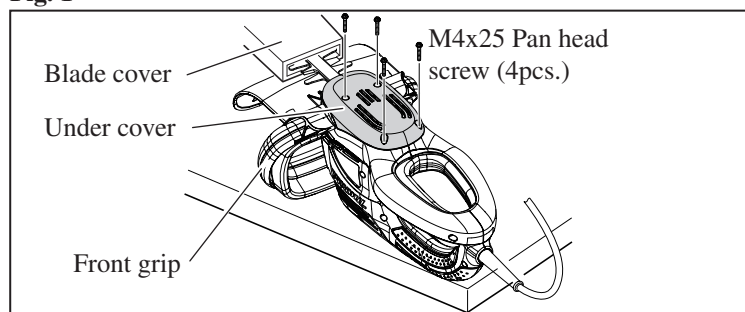


Fig. 2

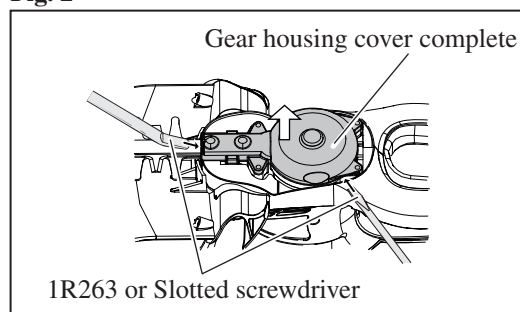


Fig. 3

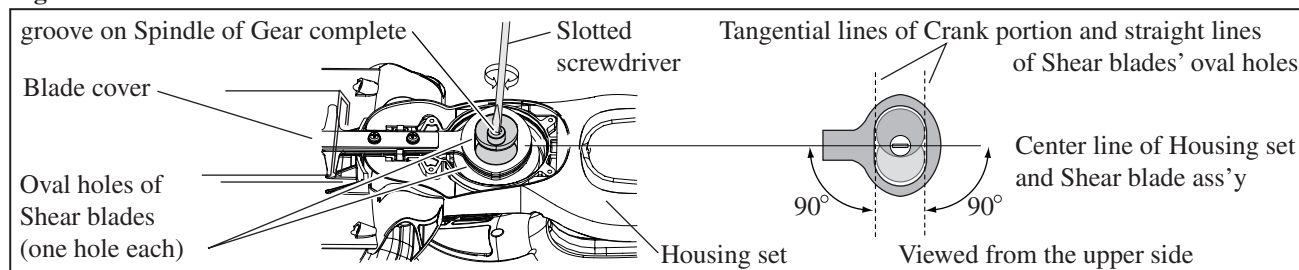


Fig. 4

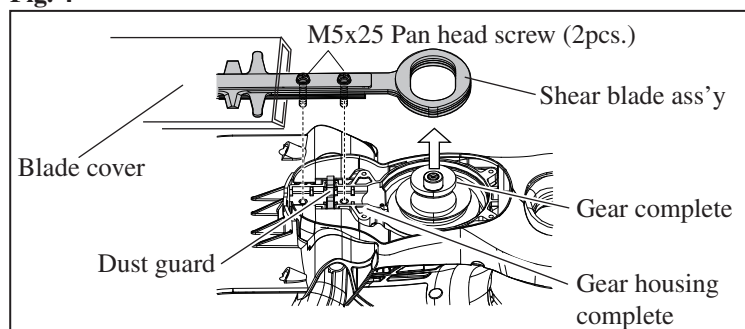
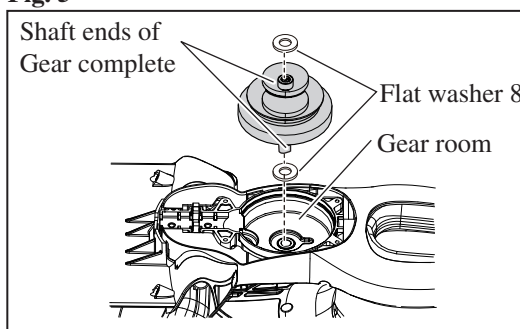


Fig. 5



► Repair

[3] DISASSEMBLY/ASSEMBLY

[3] -1. Shear blade ass'y and Gear complete (cont.)

ASSEMBLING

Take the disassembling step in reverse.

Note: • Regarding the new Shear blade ass'y;

- make sure that the routes for the two M5x25 Pan head screws are secured.
- pass two M5x25 Pan head screws through the holes for Shear blade ass'y in advance.
- Do not forget to mount two Flat washers 8 to the shaft ends of Gear complete. (Fig. 5)
- The flat shape of Dust guard has to be inserted into the groove of Gear housing complete before putting Shear blade ass'y on Gear housing complete. (Fig. 6)
- Pass the two M5x25 Pan head screws through Shear blade ass'y to align the holes of Shear blade ass'y, and tighten the two M5x25 Pan head screws. (Refer to **the previous page.**)
- When reusing two M5x25 Pan head screws, apply adhesive to the threads.
- When the holes for two M5x25 Pan head screws are not aligned, slide only Guide plate back and forth. (Fig. 6)

3) After tightening M5x25 Pan head screws in the step 2), make sure that Shear blades reciprocates smoothly with turning Crank with slotted screwdriver. (Fig. 7)

Fig. 6

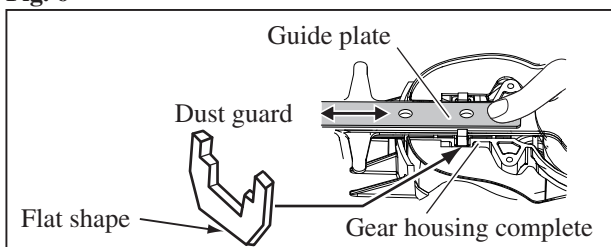
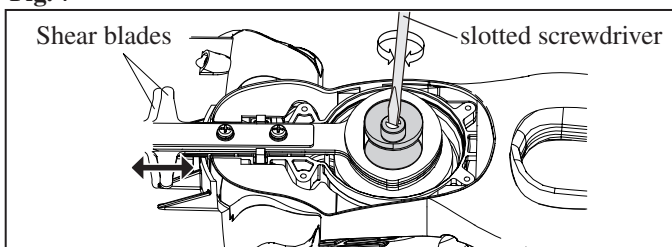


Fig. 7



[3] -2. Motor, Switch and Power supply cord

DISASSEMBLING

- 1) Remove Shear blade ass'y. (Refer to **the previous page.**)
- 2) Remove two M5x30 Pan head screws, and then slide the following parts together the forward direction. (Fig. 8)
 - *Switch lever B
 - *Front grip
 - *Protector complete
 The above parts can be pulled out from Housing set.
- 3) Remove ten 4x18 Tapping screws and separate Housing R from Housing L. (Fig. 9)
 - Carbon brushes, Switch and Power supply cord can be removed at this time.
- 4) Remove Switch lever A with Compression spring 5, Switch lever C with Rod and Link, and Switch from Housing L. (Fig. 10) (The position of Switch interferes with disassembly of Lifter section.)
- 6) Remove Lifter section, Brush holders and Carbon brushes from Housing L. And then, remove Armature, Lever and Gear housing complete as an assembled part. (Fig. 11)

Fig. 8

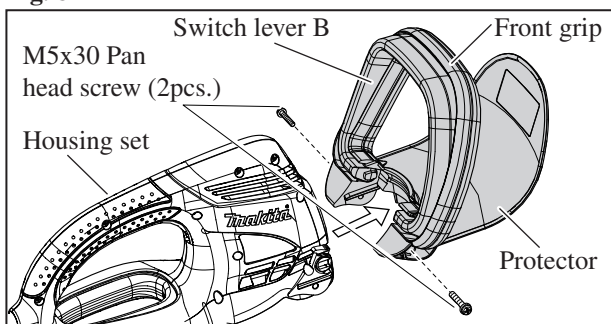


Fig. 9

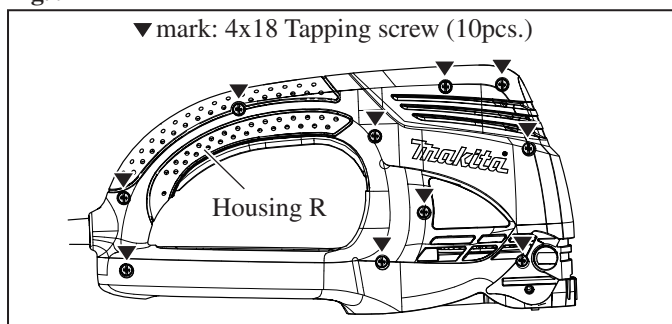


Fig. 10

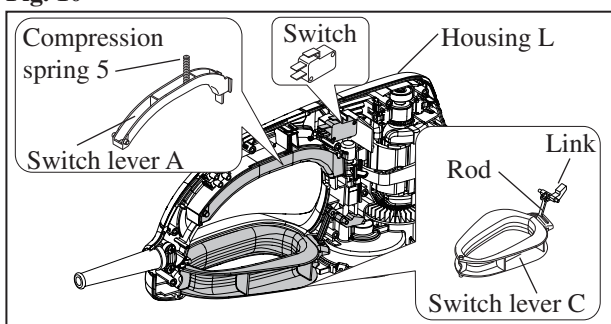
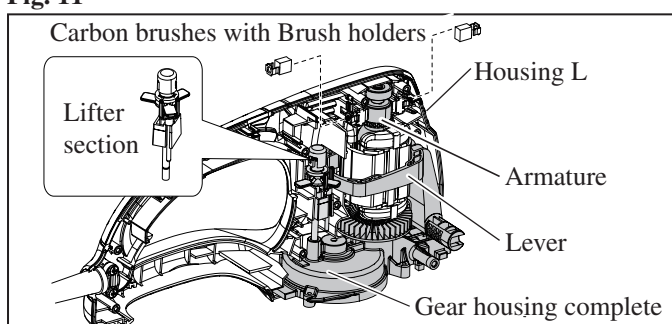


Fig. 11



► Repair

[3] DISASSEMBLY/ASSEMBLY

[3] -2. Motor, Switch and Power supply cord (cont.)

ASSEMBLING

Take the disassembling step in reverse.

Note: 1) When setting Armature and Gear housing complete in place, pass Lever through Field at the same time while inserting the hinge portion of Lever into Housing L carefully because the hinge tends to remove. (**Fig. 12**)
Insert the hinge portion of Gear housing complete into Housing L as well.

2) When Armature, Gear housing complete and Lever are set in place, Ball bearing 6000ZZ on Fan side of Armature has to be partly exposed from Gear housing complete as illustrated in **Fig. 13**.

Fig. 12

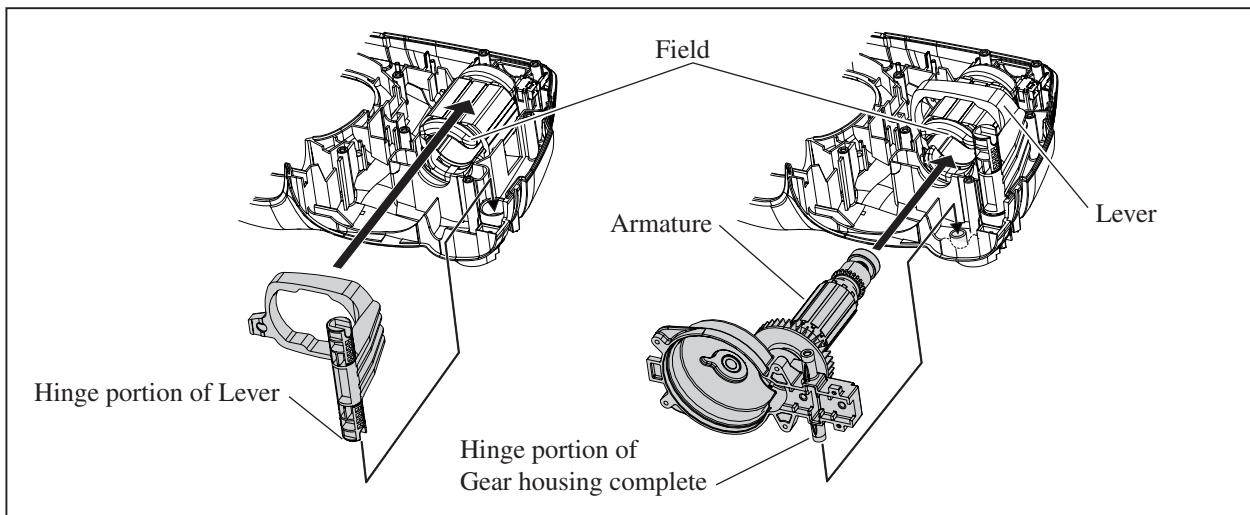
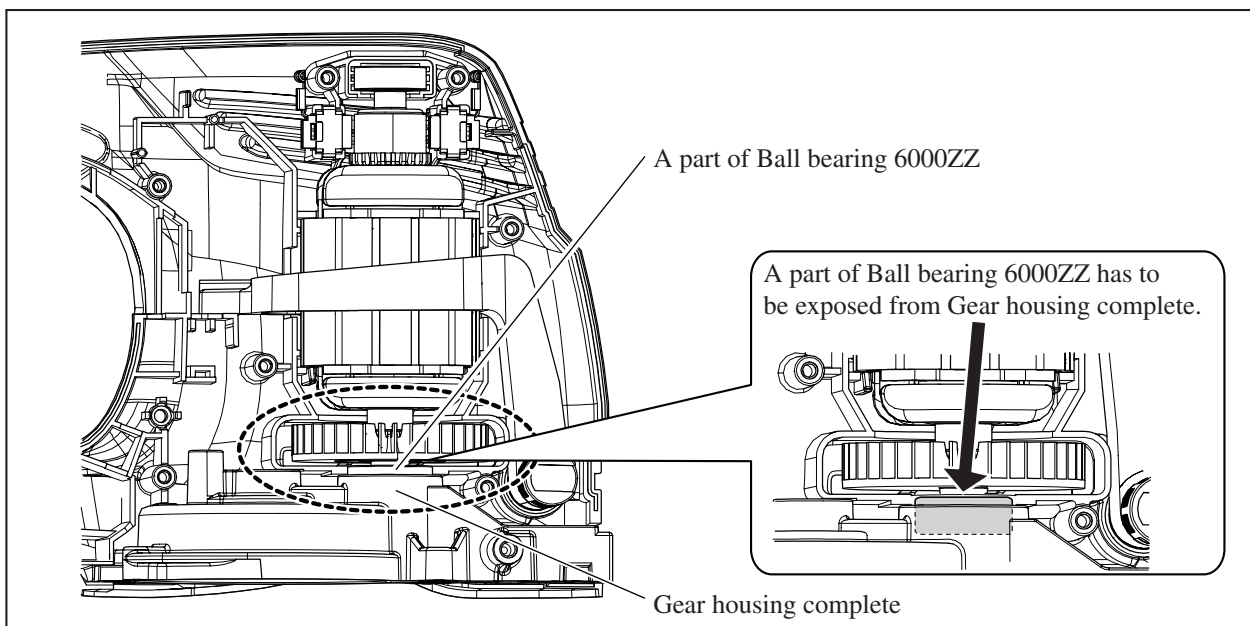


Fig. 13



► Repair

[3] DISASSEMBLY/ASSEMBLY

[3] -3. Lifter section

DISASSEMBLING

Refer to the clause of [3]-2.

ASSEMBLING

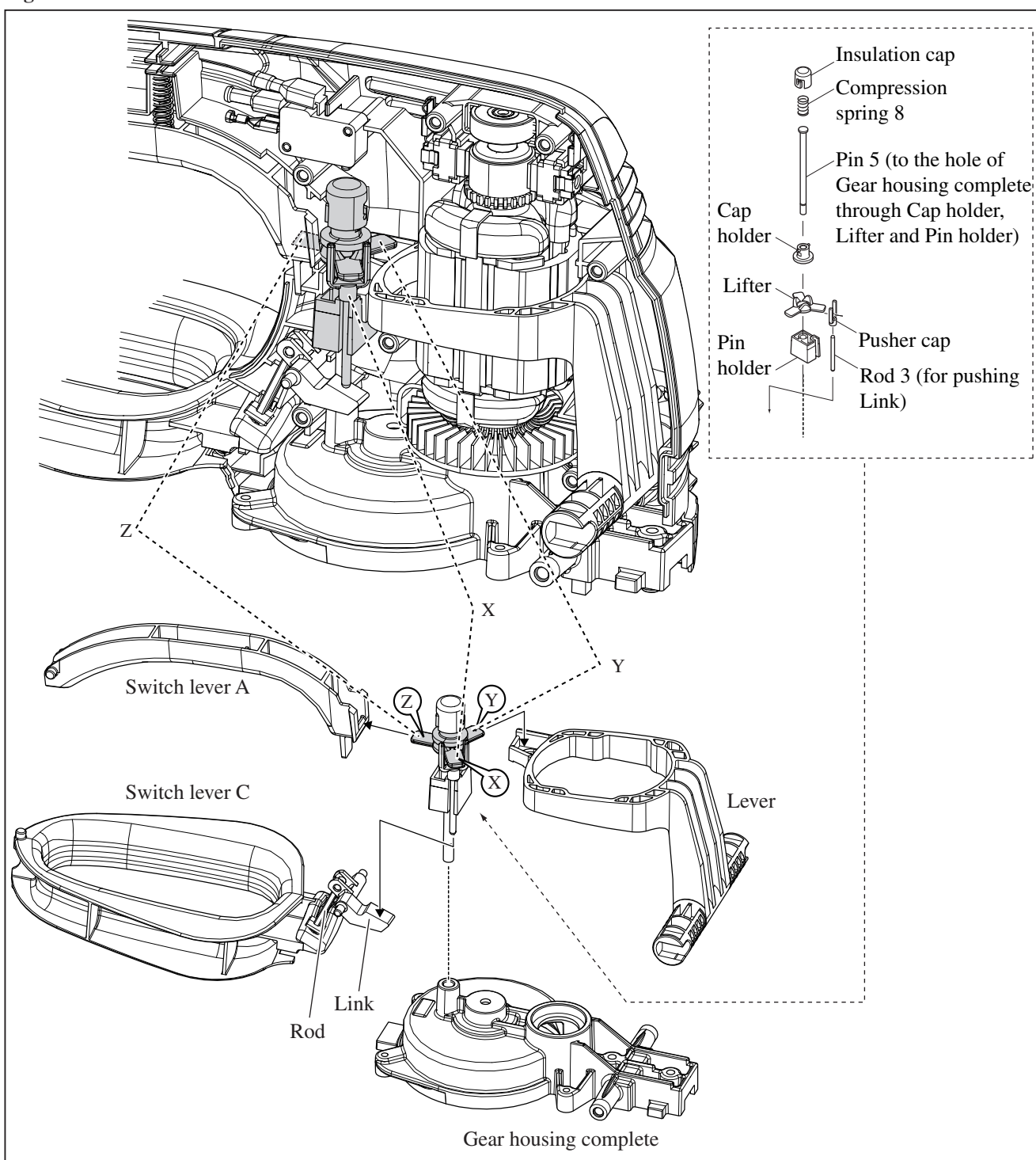
Refer to **Fig. 14**.

Three plates X, Y and Z of Lifter have to be linked with each appropriate portion in the following order.

1. Plate X is fit into the U groove of Pusher cap.
2. Plate Y is put on the hook portion of Lever.
3. Plate Z is fit into the groove of Switch lever A.

Set the components in place while pay attention to the linked portions illustrated in **Fig. 14**.

Fig. 14



► **Repair**

[3] DISASSEMBLY/ASSEMBLY

[3] -4. Switch lever B, Front grip and Protector

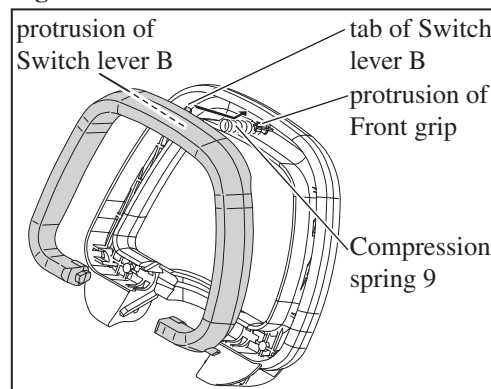
DISASSEMBLING

Refer to **Fig. 8**.

ASSEMBLING

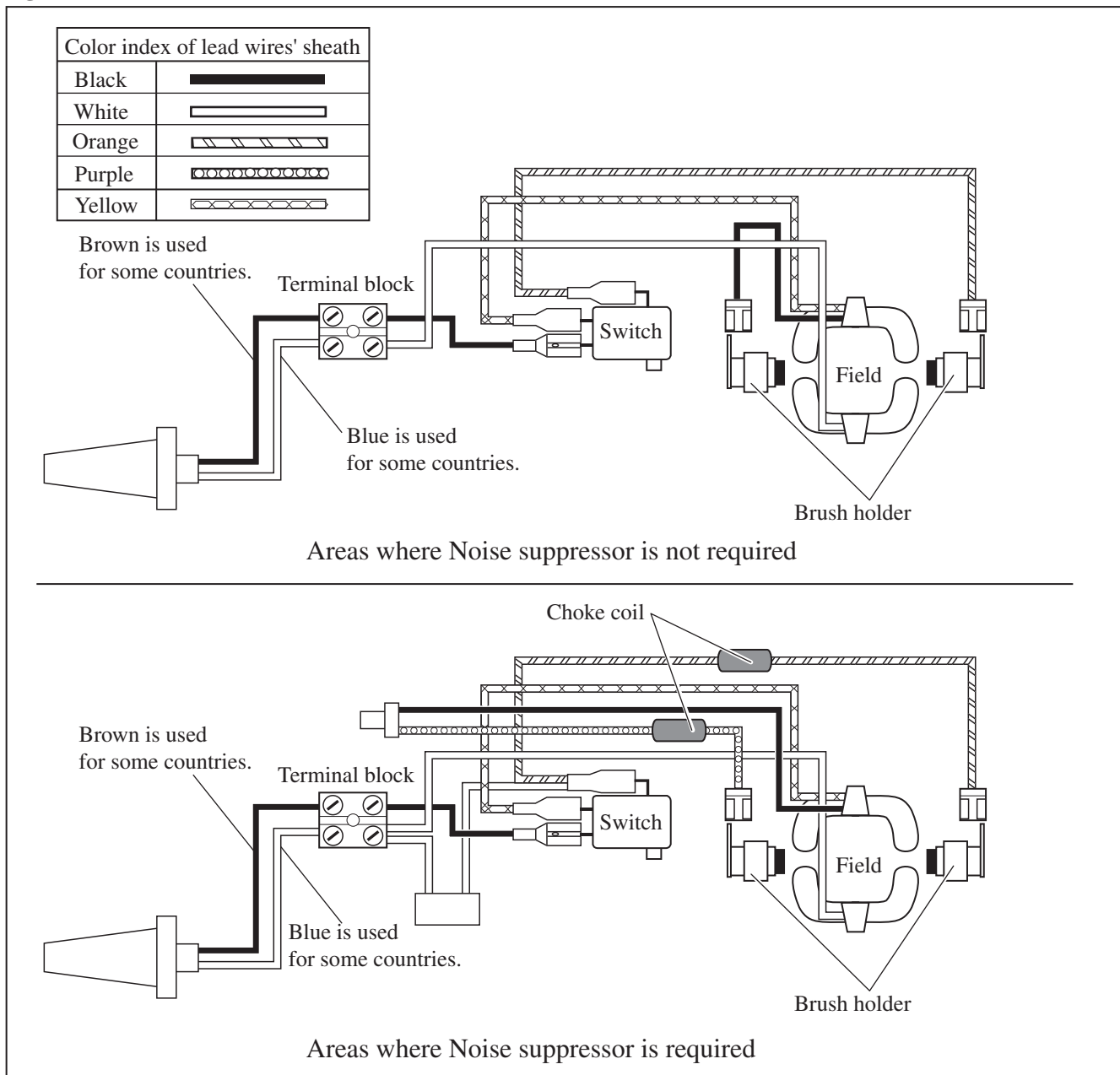
- 1) When separating Front grip from Switch lever B;
 - hook one end of Compression spring 9 with the protrusion of Front grip.
 - hook the tab of Switch lever B with the edge of Front grip. And hook the other end of Compression spring 9 with the protrusion of Switch lever B. (**Fig. 15**)
- 2) Hook Front grip, Switch lever B and Protector complete with Housing set, and then tighten two M5x30 Pan head screws to assemble Front grip, Switch lever B and Protector complete to Housing set. (**Fig. 8**)
- 3) Set Shear blade ass'y in place. Refer to **the clause of [3]-1**.

Fig. 15



► **Circuit diagram**

Fig. D-1



▶ **Wiring diagram**

Fig. D-2

