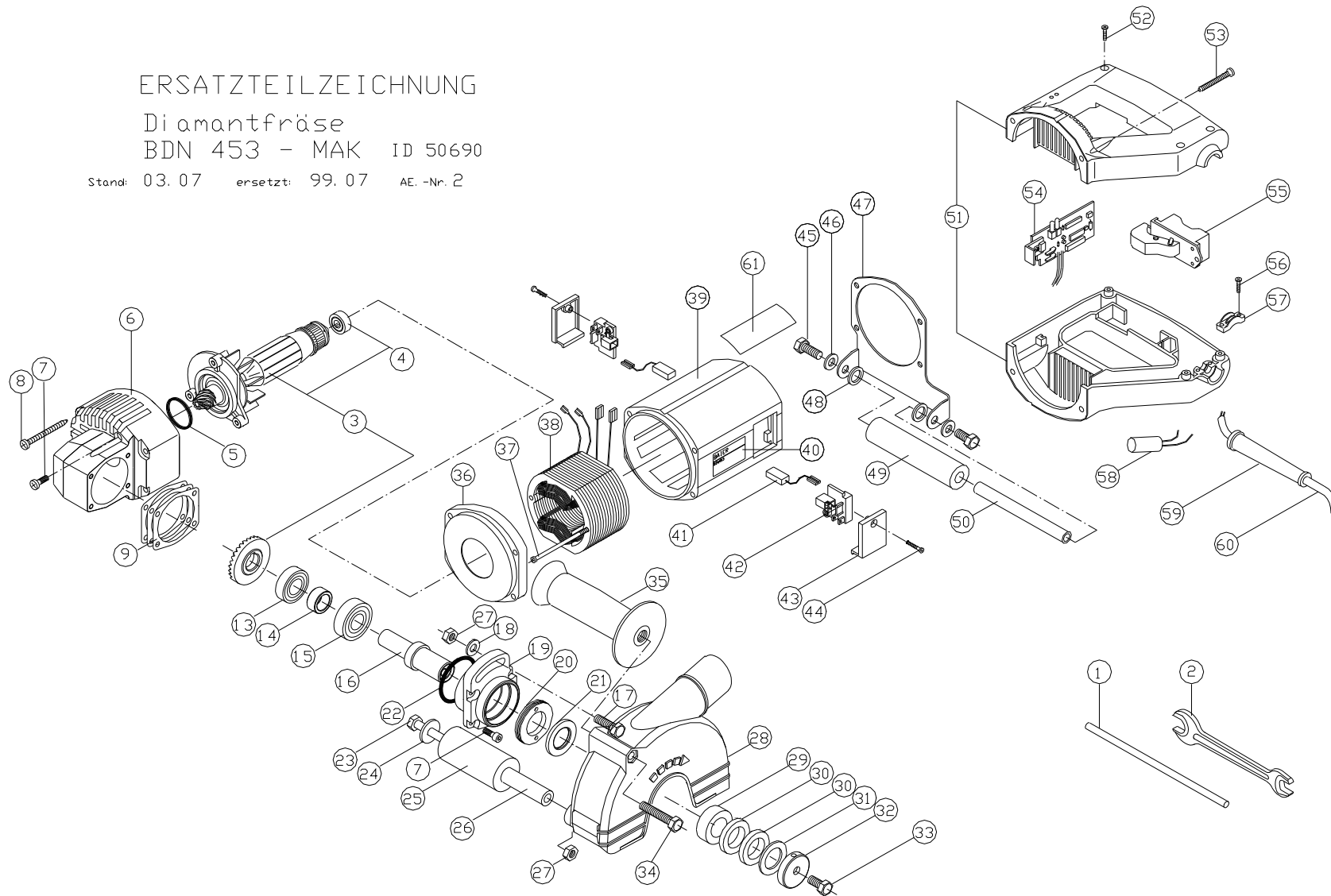


ERSATZTEILZEICHNUNG

Diamantfräse
BDN 453 - MAK ID 50690

Stand: 03. 07 ersetzt: 99. 07 AE.-Nr. 2



BDN453 - SG150
ID-Nr.: 50690

STAND: 07.03
ERSETZT: 99.07
ÄNR: 2

POS	IDNR NAME-EN	MACH	PE	PG
1	B47720 PIN 6X160		2	05
2	B3384 FLAT SPANNER AF13/AF17 DIN895		1	02
3	B35915 ARMATURE 230V CPL. INCL. BEVEL GEARS		1	21
4	B22681 BALL BEARING 6000 2RS		1	03
5	B32615 O-RING 31X2,5	UP TO Mach.-Nr. 1021	3	10
5	B51003 O-RING 35X2,5	FROM Mach.-Nr. 1022	3	10
6	B50815 HOUSING		1	14
7	B33415 SELF-TAPPING SCREW M5X20 DIN7500-C/II		3	11
8	B7450 FILLISTER HEAD SCREW 4.8X80 DIN7981 GALV.		2	02
9	B30361 SPACER DISC 0.15		2	07
9	B30379 SPACER DISC 0.2		2	07
9	B30387 SPACER DISC 0.3		2	07
13	B30130 BALL BEARING 6003 DDU		1	05
14	B30015 DISTANCE BUSH		2	06
15	B27557 BALL BEARING 6203 DDU		1	06
16	B46748 OUTPUT SHAFT		1	12
17	B11528 HEX. SCREW M8X25 DIN933 GALV.		3	09
18	B21071 WASHER M8 DIN125 GALV.		3	06
19	B50823 BEARING HOUSING		1	10
20	B30171 SPECIAL SCREW		1	06
21	B29884 RING 2,7		1	01
22	B30148 O-RING 46X2		2	03
23	B11122 HEX. SCREW M8X90 DIN931 GALV.		2	03
24	B11189 WASHER A8,4 DIN9021 GALV.		3	06
25	B10777 ROLLER 36/16.5/75		1	02
26	B11247 DISTANCE BUSH 16X3.5/76.5		1	01
27	B18952 HEX. NUT M8 DIN934 GALV.		3	10
28	B50831 PROTECTIVE CASING SG150		1	12
29	B30494 RING 18		1	02
30	B55376 RING 5	2x (FOR EN-PIPES)	1	01
30	B10678 RING 10	altern. to 2x 55376 (NOT EN-PIPES)	1	01
31	B30486 RING 3		1	01
32	B29934 PRESSURE DISC		1	05
33	B10983 HEX. SCREW M8X16 L.H. GALV.		1	02
34	B33407 HEX. SCREW M8X55 DIN931 GALV.		3	11
35	B8482 HANDLE		1	07
36	B41418 DEFLECTOR RING		1	02
37	B36137 FILLISTER HEAD SCREW 3.9X80 DIN7981 GALV.		2	02
38	B50849 STATOR		1	14
39	B58701 MOTOR HOUSING		1	12
40	B50864 SPECIFICATING PLATE			
41	B45872 CARBON BRUSH		1	03
42	B32508 BRUSH HOLDER		1	04
43	B38299 BRUSH HOLDER COVER		2	04
44	B21030 POLYPLAST SCREW .4,0X12 DIN7981 GALV		3	09
45	B30981 HEX. SCREW M7X12 DIN933 GALV.		2	02
46	B31070 WASHER 7,4 DIN125 GALV.		3	03
47	B10801 ROLL HOLDER		1	10

48	B26948 WASHER 13 DIN433 GALV.		3 10
49	B9506 ROLLER		1 01
50	B31096 ROLL AXLE		1 02
51	B48611 HANDLE		1 09
52	B42721 POLYPLAST SCREW .4,0X19 DIN7981 GALV		3 07
53	B44941 POLYPLAST SCREW .5,0X38 DIN7981 GALV		3 09
54	B35055 ELECTRONICS		1 14
55	B31468 SWITCH		1 11
56	B20990 FILLISTER HEAD SCREW 3.9X16 DIN7981 GALV.		3 08
57	B17913 CABLE CLAMP		2 08
58	B14886 CAPACITOR	UP TO Mach.-Nr. 1388	1 01
59	B25221 TENSION RELIEF		2 04
60	B24273 CABLE		1 10
61	B50872 NAME PLATE		