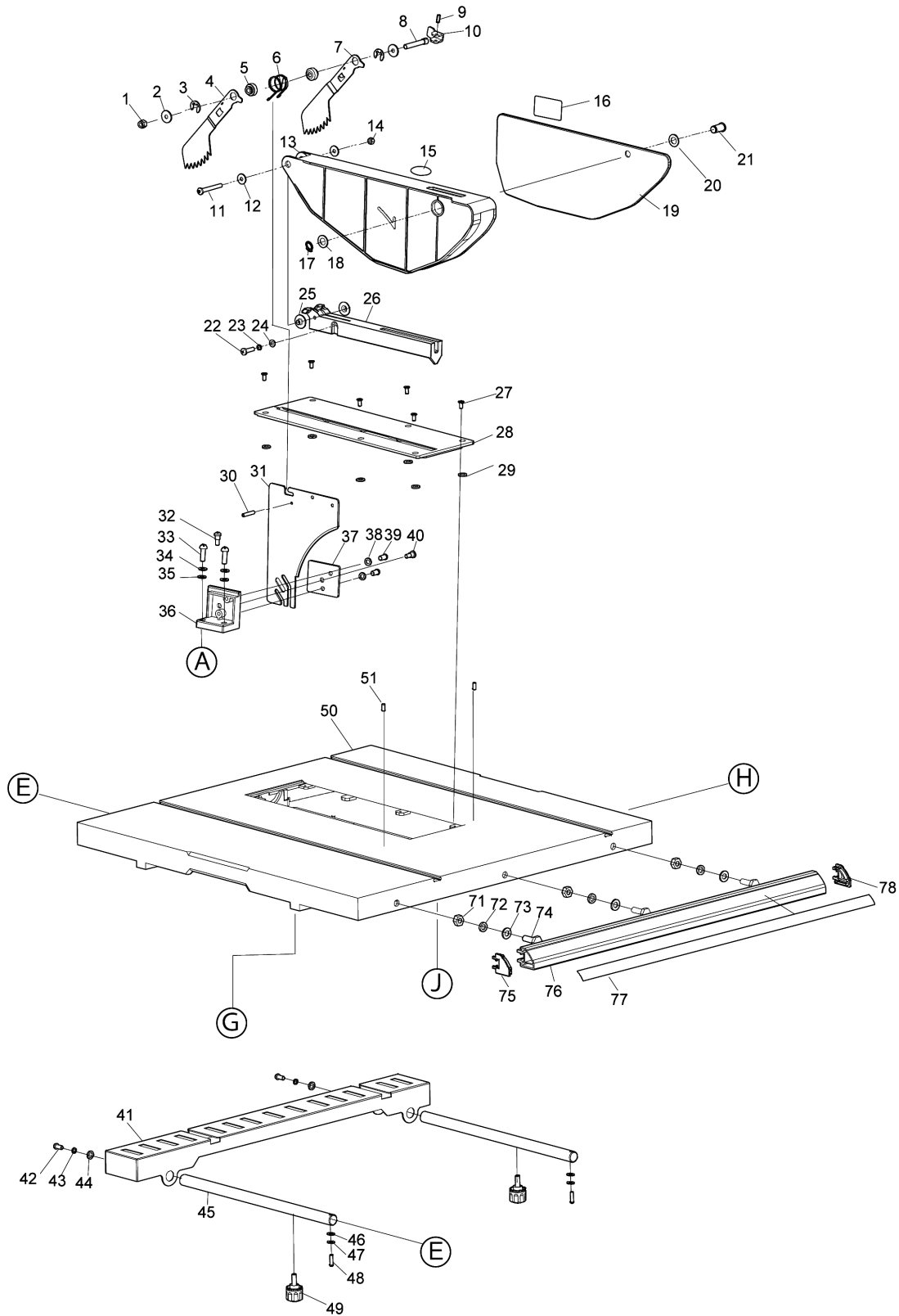
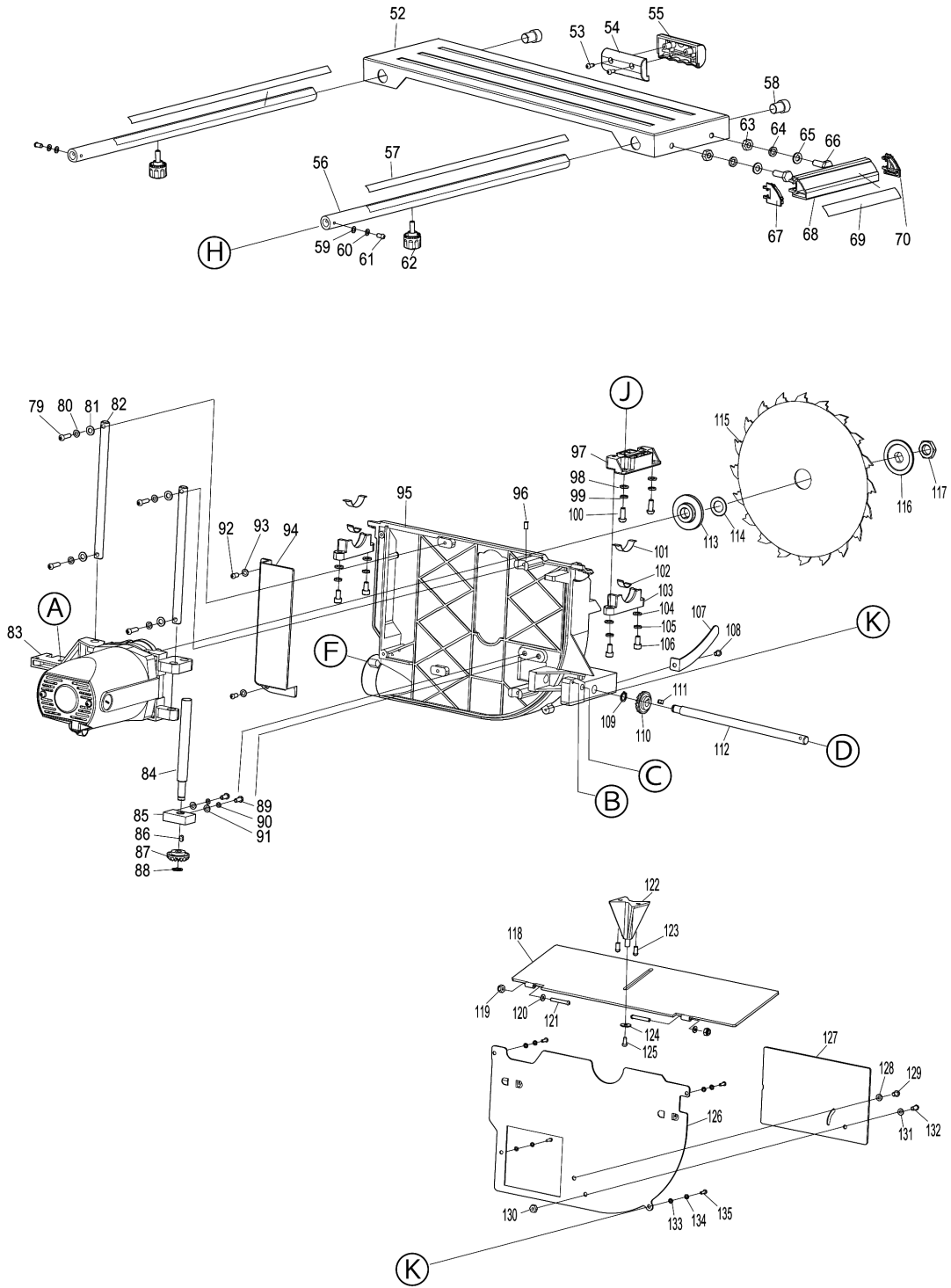


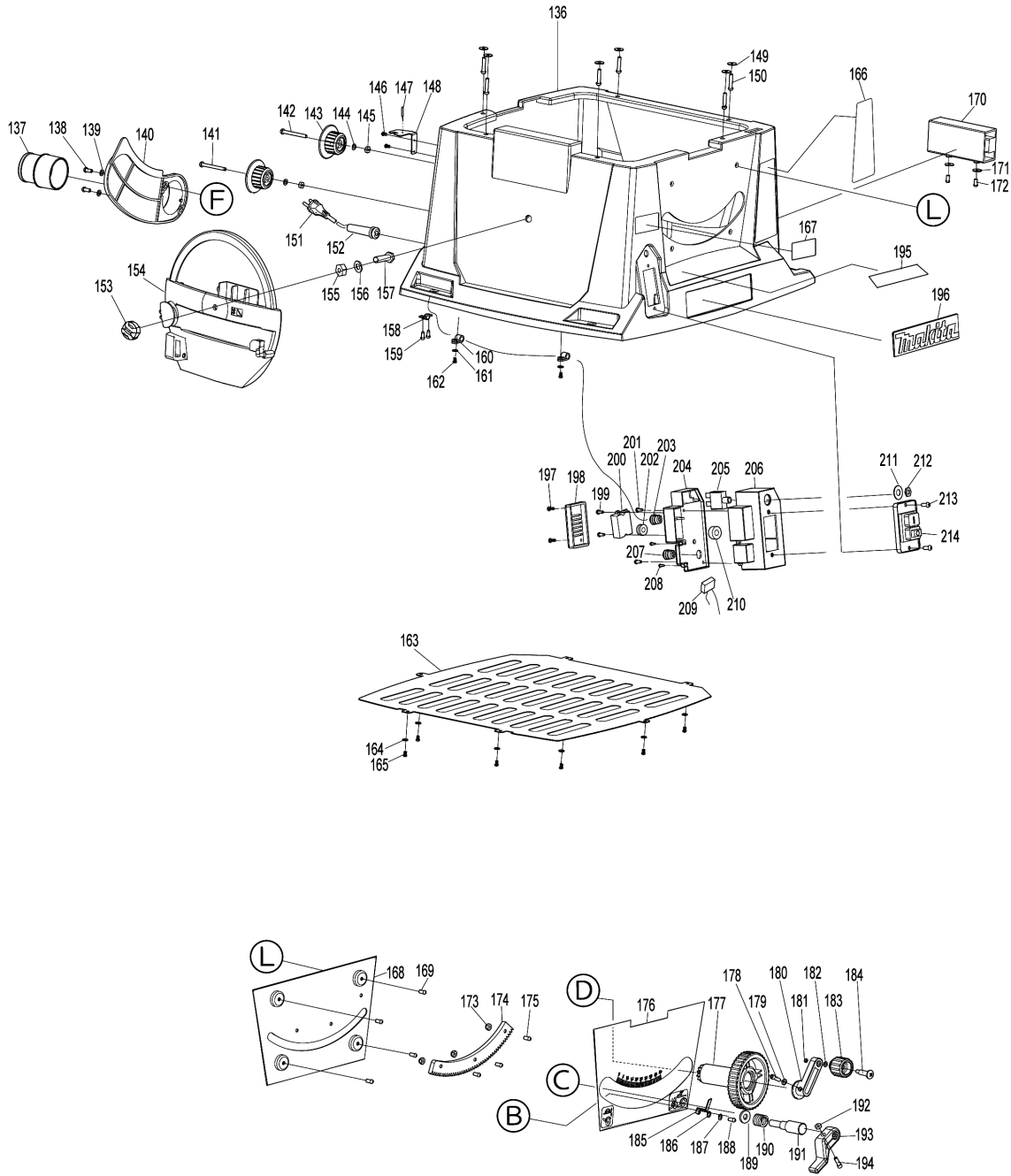
Model No.MLT100N 260MM TABLE SAW



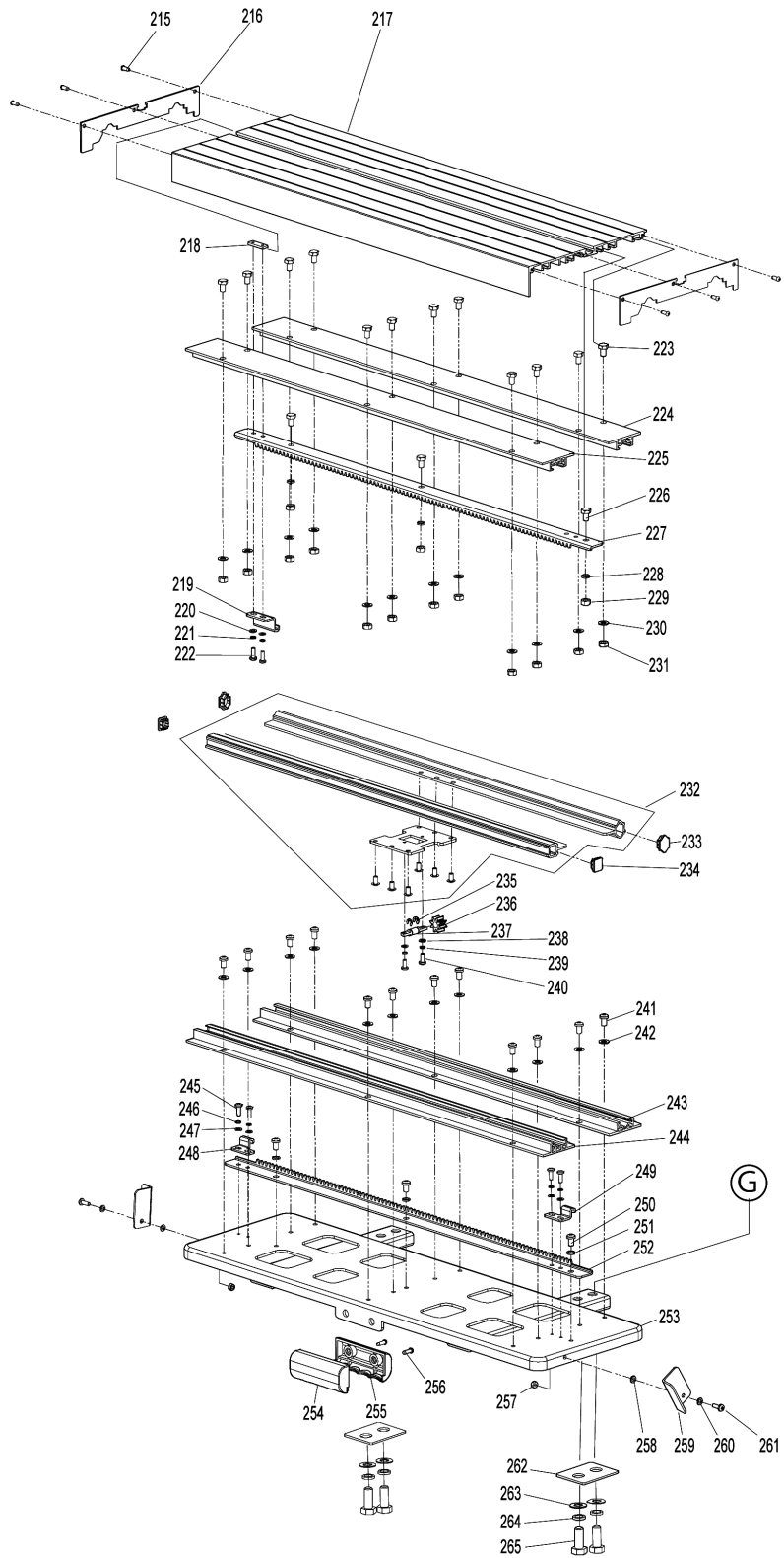
Model No.MLT100N 260MM TABLE SAW



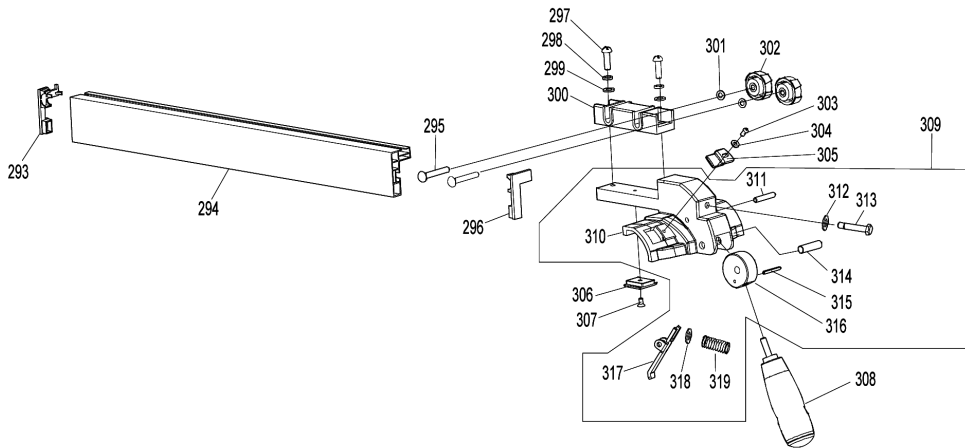
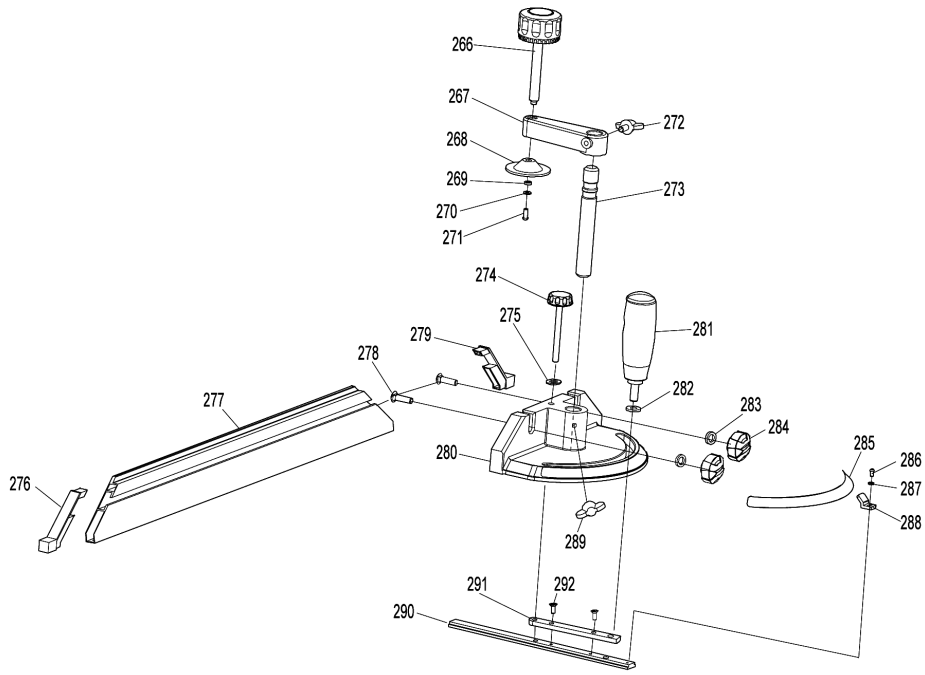
Model No.MLT100N 260MM TABLE SAW



Model No.MLT100N 260MM TABLE SAW

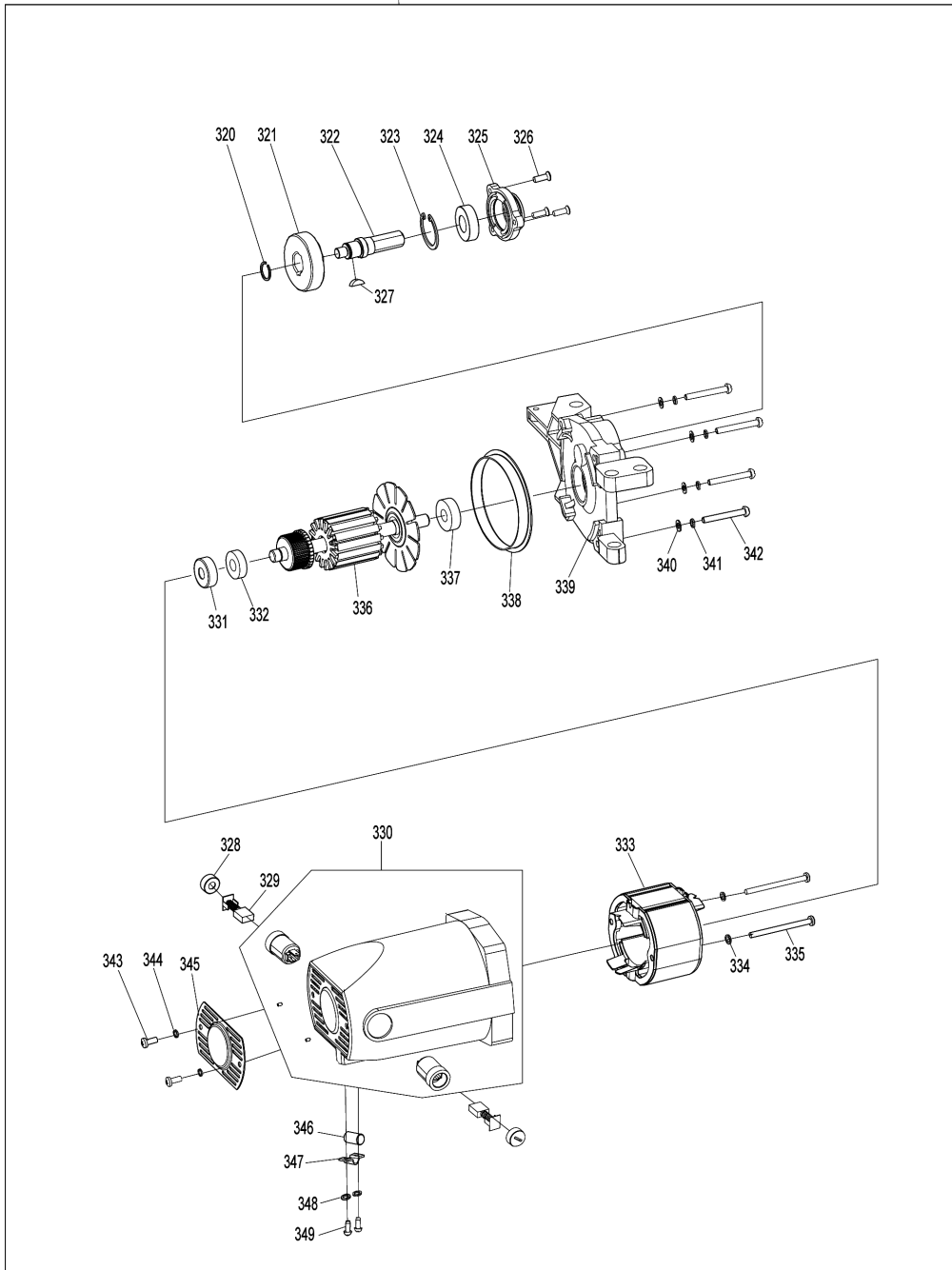


Model No.MLT100N 260MM TABLE SAW



Model No.MLT100N 260MM TABLE SAW

83



Model No.MLT100N 260MM TABLE SAW

cod	cod piesa	descriere	interschimbare	cantitate	New/Old	vanzari	cumparari	nota
001	JM27000051	LOCK NUT M6 MLT100		1				
002	JM27000055	SAIBA MLT100		2				
003	JM00000198	E SHAPE RETAINING RING E-10		2				
004	JM00000059	ANTI KICKBACK PAWL LEFT		1				
005	JM00000057	SPACER RING 6		2				
006	JM00000058	TORSION SPRING		1				
007	JM00000056	ANTI KICKBACK PAWL RIGHT		1				
008	JM00000055	TENSION BOLT M6X47		1				
009	JM27000059	STIFT 4X8 MLT100		1				
010	JM27000061	WRENCH MLT100		1				
011	JM00000052	TAMPERPROOF STEPPED BOLT M5X47		1				
012	JM27000055	SAIBA MLT100		2				
013	JM00000054	BLADE GUARD		1				
014	JM27000183	NUT M5 MLT100		1				
015	JM2708B060	CAUTION LABEL		1				
016	JM27080108	LABEL(RIVING KNIFE SETTING)		1				
017	JM27000163	RETAINING RING 10 MLT100		1				
018	JM27000064	SAIBA A MLT100		1				
019	JM00000053	SUB BLADE GUARD		1				
020	JM27000064	SAIBA A MLT100		1				
021	JM27000063	STIFT MLT100		1				
022	JM27000156	SURUB M5X20 MLT100		1				
023	JM27000048	SAIBA ELASTICA 5 MLT100		1				
024	JM27000155	FLAT WASHER 5 MLT100		1				
025	JM27000352	FLANGED WASHER		2				
026	JM00000051	BLADE GUARD STAND		1				
027	JM27000066	CROSS HEAD SUNK SCREW M4X8 MLT100		6				
028	JM27000067	PLACA DE INSERTIE MLT100		1				
029	JM27000453	O-RING 2.5X1.5		6				
030	JM00000049	SPRING PIN 4X25		1				
031	JM00000048	RIVING KNIFE		1				
032	JM00000047	TAMPERPROOF STEPPED BOLT M5X20		1				
033	JM27000149	H.S.BOLT M6X20 MLT100		2				
034	JM27000017	SAIBA ELASTICA 6 MLT100		2				
035	JM27000024	FLAT WASHER 6 MLT100		2				
036	JM27000148	BRACKET MLT100		1				
037	JM27000151	FIX PLATE MLT100		1				
038	JM27000017	SAIBA ELASTICA 6 MLT100		2				

Model No.MLT100N 260MM TABLE SAW

cod	cod piesa	descriere	interschimbare	cantitate	New/Old	vanzari	cumparari	nota
039	JM27000149	H.S.BOLT M6X20 MLT100		2				
040	JM00000046	TAMPERPROOF STEPPED BOLT M5X15		1				
041	JM27000045	REAR EXTENSION TABLE		1				
042	JM27000167	SURUB M5X12 MLT100		2				
043	JM27000048	SAIBA ELASTICA 5 MLT100		2				
044	JM27000047	BIG FLAT WASHER 5 MLT100		2				
045	JM27000044	SLIDING BAR B MLT100		2				
046	JM27000155	FLAT WASHER 5 MLT100		2				
047	JM27000048	SAIBA ELASTICA 5 MLT100		2				
048	JM27000167	SURUB M5X12 MLT100		2				
049	JM27000043	LOCK KNOB MLT100		2				
050	JM00000003	MAIN TABLE B COMPLETE		1				
051	JM27000339	H.S.BOLT WITH GLUE M6X20 MLT100		2				
052	JM27000068	RIGHT EXTENSION TABLE MLT100		1				
053	JM27000004	CROSS HEAD SELF TAPPING SCREW MLT100		2				
054	JM27000006	INTERIOR HALF HANDLE MLT100		1				
055	JM27000005	EXTERIOR HALF HANDLE MLT100		1				
056	JM27000425	SLIDE PIPE 630		2				
057	JM27000428	SCALE LABEL SL-PIPE (METRIC)		2				
058	JM27000069	H.S.BOLT M14X20 MLT100		2				
059	JM27000155	FLAT WASHER 5 MLT100		2				
060	JM27000048	SAIBA ELASTICA 5 MLT100		2				
061	JM27000167	SURUB M5X12 MLT100		2				
062	JM27000043	LOCK KNOB MLT100		2				
063	JM27000070	HEX NUT M8 MLT100		2				
064	JM27000071	SAIBA ELASTICA 8 MLT100		2				
065	JM27000072	FLAT WASHER 8 MLT100		2				
066	JM27000073	SQUARE NECK BOLT M8X25 MLT100		2				
067	JM27000078	COVER B MLT100		1				
068	JM27000075	SUB FRONT RAIL MLT100		1				
069	JM27000335	SCALE LABEL MLT100		1				
070	JM27000074	COVER A MLT100		1				
071	JM27000070	HEX NUT M8 MLT100		3				
072	JM27000071	SAIBA ELASTICA 8 MLT100		3				
073	JM27000072	FLAT WASHER 8 MLT100		3				
074	JM27000073	SQUARE NECK BOLT M8X25 MLT100		3				
075	JM27000078	COVER B MLT100		1				
076	JM27000082	FRONT RAIL MLT100		1				

Model No.MLT100N 260MM TABLE SAW

cod	cod piesa	descriere	interschimbare	cantitate	New/Old	vanzari	cumparari	nota
077	JM27000333	SCALE LABEL MLT100		1				
078	JM27000074	COVER A MLT100		1				
079	JM27000156	SURUB M5X20 MLT100		4				
080	JM27000048	SAIBA ELASTICA 5 MLT100		4				
081	JM27000155	FLAT WASHER 5 MLT100		4				
082	JM27000157	BAR MLT100		2				
083	JM27000147	MOTOR(230V) MLT100		1				
D10		INC. 320-349			*			
D11		INC. 320-330,333-336,338-349						
084	JM27000158	ROD MLT100		1				
085	JM27000160	ADJUSTING BRACKET MLT100		1				
086	JM27000159	KEY 4X8 MLT100		1				
087	JM27000162	BEVEL GEAR MLT100		1				
088	JM27000163	RETAINING RING 10 MLT100		1				
089	JM27000161	H.S.BOLT M5X20 MLT100		2				
090	JM27000048	SAIBA ELASTICA 5 MLT100		2				
091	JM27000155	FLAT WASHER 5 MLT100		2				
092	JM27000042	SURUB M5X10 MLT100		2				
093	JM27000155	FLAT WASHER 5 MLT100		2				
094	JM27000154	COVER MLT100		1				
095	JM27000153	CARCASA MLT100		1				
096	JM27000172	H.S.BOLT WITH GLUE M6X12 MLT100		1				
097	JM27000112	BRACKET B MLT100		1				
098	JM27000024	FLAT WASHER 6 MLT100		2				
099	JM27000017	SAIBA ELASTICA 6 MLT100		2				
100	JM27000111	HEX BOLT M6X16 MLT100		2				
101	JM27000152	SLIDING PLATE MLT100		2				
102	JM27000173	PLATE MLT100		2				
103	JM27000039	FIX BRACKET A MLT100		2				
104	JM27000024	FLAT WASHER 6 MLT100		4				
105	JM27000017	SAIBA ELASTICA 6 MLT100		4				
106	JM27000038	SURUB M6X16 MLT100		4				
107	JM27000170	PROTECTION PLATE MLT100		1				
108	JM27000042	SURUB M5X10 MLT100		1				
109	JM27000163	RETAINING RING 10 MLT100		1				
110	JM27000162	BEVEL GEAR MLT100		1				
111	JM27000159	KEY 4X8 MLT100		1				
112	JM27000165	ROD MLT100		1				
113	JM27000171	FLANSA INTERIOARA		1				
114	JM27000100	INEL DISTANTIER		1				

Model No.MLT100N 260MM TABLE SAW

cod	cod piesa	descriere	interschimbare	cantitate	New/Old	vanzari	cumparari	nota
115	JM27000097	SAW BLADE 260X30		1				
116	JM27000179	FLANSA EXTERIOARA MLT100		1				
117	JM27000180	PIULITA M16		1				
118	JM27000178	PROTECTION PLATE MLT100		1				
119	JM27000176	HEX LOCK NUT M3 MLT100		2				
120	JM27000175	BIG WASHER 3 MLT100		2				
121	JM27000174	SURUB M3X25 MLT100		2				
122	JM27000184	SUPPORT BRACKET MLT100		1				
123	JM27000042	SURUB M5X10 MLT100		2				
124	JM27000109	BIG FLAT WASHER 4 MLT100		1				
125	JM27000177	SELF TAPPING SCREW ST3.9X10 MLT100		1				
126	JM27000181	PROTECTION PLATE MLT100		1				
127	JM27000182	PLATE MLT100		1				
128	JM27000047	BIG FLAT WASHER 5 MLT100		1				
129	JM27000042	SURUB M5X10 MLT100		1				
130	JM27000183	NUT M5 MLT100		1				
131	JM27000047	BIG FLAT WASHER 5 MLT100		1				
132	JM27000042	SURUB M5X10 MLT100		1				
133	JM27000009	FLAT WASHER 4 MLT100		4				
134	JM27000013	SAIBA ELASTICA 4 MLT100		4				
135	JM27000027	SURUB M4X10 MLT100		4				
136	JM27000106	CABINET ASSEMBLY(A) MLT100		1				
137	JM27000090	DUST PORT MLT100		1				
138	JM27000011	SURUB M4X12 MLT100		2				
139	JM27000009	FLAT WASHER 4 MLT100		2				
140	JM27000089	PROTECTION PLATE MLT100		1				
141	JM27000092	HEX.BOLT M5X55 MLT100		1				
142	JM27000091	HEX.BOLT M5X65 MLT100		1				
143	JM27000093	CORD BRACKET MLT100		2				
144	JM27000024	FLAT WASHER 6 MLT100		2				
145	JM27000032	HEX. NUT M6 MLT100		2				
146	JM27000177	SELF TAPPING SCREW ST3.9X10 MLT100		2				
147	JM00000049	SPRING PIN 4X25		1				
148	JM00000050	ANTI KICKBACK PAWL HANGER		1				
149	JM27000047	BIG FLAT WASHER 5 MLT100		6				
150	JM27000156	SURUB M5X20 MLT100		6				
151	JM23000156	CABLU ALIMENTARE LH1200FL		1				

Please order the parts with part number.

Print Date 17/1/2022

Model No.MLT100N 260MM TABLE SAW

cod	cod piesa	descriere	interschimbare	cantitate	New/Old	vanzari	cumparari	nota
152	JM27000094	CORD PROTECTION TUBE MLT100		1				
153	JM27000085	LOCK KNOB A MLT100		1				
154	JM00000147	TOOL CASE ASSY		1				
155	JM00000135	HEX NUT M10		1				
156	JM27000003	FLAT WASHER 10 MLT100		1				
157	JM27000104	HEX.BOLT M10X45 MLT100		1				
158	JM27000102	CLAMP PLATE MLT100		1				
159	JM27000103	CROSS HEAD SELF TAPPING SCREW MLT100		2				
160	JM27000332	CLAMP MLT100		2				
161	JM27000109	BIG FLAT WASHER 4 MLT100		2				
162	JM27000004	CROSS HEAD SELF TAPPING SCREW MLT100		2				
163	JM27000108	BOTTOM MLT100		1				
164	JM27000109	BIG FLAT WASHER 4 MLT100		6				
165	JM27000004	CROSS HEAD SELF TAPPING SCREW MLT100		6				
167	JM00000014	NAME PLATE		1				
168	JM27000143	SUPPORT PLATE MLT100		1				
169	JM27000144	CROSS HEAD SUNK SCREW M5X8 MLT100		4				
170	JM27000145	FURTUN MLT100		1				
171	JM27000109	BIG FLAT WASHER 4 MLT100		2				
172	JM27000004	CROSS HEAD SELF TAPPING SCREW MLT100		2				
173	JM27000183	NUT M5 MLT100		3				
174	JM27000142	RACK BRACKET MLT100		1				
175	JM27000317	CROSS HEAD SUNK SCREW M5X16 MLT100		3				
176	JM27000110	FRONT PANEL LABEL MLT100		1				
177	JM27000166	FLANSA EXTERIOARA MLT100		1				
178	JM27000167	SURUB M5X12 MLT100		1				
179	JM27000155	FLAT WASHER 5 MLT100		1				
180	JM00000152	CRANK FOR BLADE LIFTING		1				
181	JM00000151	HEX NUT M5		1				
182	JM27000155	FLAT WASHER 5 MLT100		1				
183	JM00000153	GRIP FOR BLADE LIFTING		1				
184	JM27000169	SURUB MLT100		1				
185	JM27000164	POINTER MLT100		1				
186	JM27000009	FLAT WASHER 4 MLT100		1				
187	JM27000013	SAIBA ELASTICA 4 MLT100		1				
188	JM27000027	SURUB M4X10 MLT100		1				
189	JM27000141	BUCSA MLT100		1				

Model No.MLT100N 260MM TABLE SAW

cod	cod piesa	descriere	interschimbare	cantitate	New/Old	vanzari	cumparari	nota
190	JM27000140	TORSION SPRING MLT100		1				
191	JM27000139	LOCK BOLT MLT100		1				
192	JM27000032	HEX. NUT M6 MLT100		1				
193	JM27000138	LOCK HANDLE MLT100		1				
194	JM27000137	HEX.NUT M6X12 MLT100		1				
195	JM27080020	WARNING LABEL MLT100		1				
196	JM27000113	LOGO LABEL MLT100		1				
197	JM27000114	CROSS HEAD SELF TAPPING SCREW MLT100		2				
198	JM27000115	SOFT START DEVICE COVER MLT100		1				
199	JM27000117	CROSS HEAD SELF TAPPING SCREW MLT100		2				
200	JM27000116	DISPOZITIV PORNIRE LENTA MLT100		1				
201	JM27000004	CROSS HEAD SELF TAPPING SCREW MLT100		2				
202	JM00000157	GROMMET		1				
203	JM27000118	STRAIN & RELIEF MLT100		1				
204	JM27000119	SWITCH COVER MLT100		1				
205	JM27000121	OVERLOAD SWITCH MLT100		1				
206	JM27000120	SWITCH BOX MLT100		1				
207	JM00000155	CORD CLAMP		1				
208	JM27000114	CROSS HEAD SELF TAPPING SCREW MLT100		2				
209	JM27000342	CAPACITOR MLT100		1				
210	JM00000134	FERRITE RING		1				
211	JM27000122	OVERLOAD SWITCH LABEL MLT100		1				
212	JM27000123	OVERLOAD SWITCH NUT MLT100		1				
213	JM27000136	SURUB M4X14 MLT100		2				
214	JM27000443	INTRERUPATOR MLT100		1				
215	JM27000037	SELF TAPPING SCREW ST3.9X8 MLT100		6				
216	JM27000036	SLIDING TABLE COVER MLT100		2				
217	JM27000035	SLIDING TABLE MLT100		1				
218	JM27000034	CONNECTION NUT MLT100		1				
219	JM27000031	GEAR LIMITED C MLT100		1				
220	JM27000009	FLAT WASHER 4 MLT100		2				
221	JM27000013	SAIBA ELASTICA 4 MLT100		2				
222	JM27000011	SURUB M4X12 MLT100		2				
223	JM27000033	HEX BOLT M6X10 MLT100		12				
224	JM27000022	FIX RAIL I MLT100		1				
225	JM27000014	FIX FLAT RAIL MLT100		1				
226	JM27000033	HEX BOLT M6X10 MLT100		3				

Model No.MLT100N 260MM TABLE SAW

cod	cod piesa	descriere	interschimbare	cantitate	New/Old	vanzari	cumparari	nota
227	JM27000018	SLIDING TABLE RACK RAIL MLT100		1				
228	JM27000024	FLAT WASHER 6 MLT100		3				
229	JM27000032	HEX. NUT M6 MLT100		3				
230	JM27000024	FLAT WASHER 6 MLT100		12				
231	JM27000032	HEX. NUT M6 MLT100		12				
232	JM00000149	SLIDE RAIL ASSY		1				
233	JM27000021	SLIDING RAIL COVER MLT100		2				
234	JM27000020	SLIDING FLAT RAIL COVER MLT100		2				
235	JM27000029	RETAINING RING 6 MLT100		2				
236	JM27000025	GEAR MLT100		1				
237	JM27000028	SHAFT MLT100		1				
238	JM27000009	FLAT WASHER 4 MLT100		2				
239	JM27000013	SAIBA ELASTICA 4 MLT100		2				
240	JM27000027	SURUB M4X10 MLT100		2				
241	JM27000016	SURUB M6X10 MLT100		12				
242	JM27000024	FLAT WASHER 6 MLT100		12				
243	JM27000022	FIX RAIL I MLT100		1				
244	JM27000014	FIX FLAT RAIL MLT100		1				
245	JM27000011	SURUB M4X12 MLT100		4				
246	JM27000013	SAIBA ELASTICA 4 MLT100		4				
247	JM27000009	FLAT WASHER 4 MLT100		4				
248	JM27000012	FIX BRACKET B MLT100		1				
249	JM27000019	FIX BRACKET B MLT100		1				
250	JM27000016	SURUB M6X10 MLT100		3				
251	JM27000024	FLAT WASHER 6 MLT100		3				
252	JM27000018	SLIDING TABLE RACK RAIL MLT100		1				
253	JM27000008	BOTTOM MLT100		1				
254	JM27000005	EXTERIOR HALF HANDLE MLT100		1				
255	JM27000006	INTERIOR HALF HANDLE MLT100		1				
256	JM27000004	CROSS HEAD SELF TAPPING SCREW MLT100		2				
257	JM27000007	HEX.LOCK NUT M4 MLT100		2				
258	JM00000154	WAVE WASHER 4		2				
259	JM27000010	LIMITED BRACKET MLT100		2				
260	JM27000009	FLAT WASHER 4 MLT100		2				
261	JM27000011	SURUB M4X12 MLT100		2				
262	JM27000327	SLIDING TABLE PAD MLT100		2				
263	JM27000003	FLAT WASHER 10 MLT100		4				
264	JM27000002	SAIBA ELASTICA 10 MLT100		4				

Model No.MLT100N 260MM TABLE SAW

cod	cod piesa	descriere	interschimbare	cantitate	New/Old	vanzari	cumparari	nota
265	JM27000001	HEX.BOLT M10X35 MLT100		4				
266	JM27000217	THREAD ROD MLT100		1				
267	JM27000218	LINK MLT100		1				
268	JM27000219	PLATE MLT100		1				
269	JM27000009	FLAT WASHER 4 MLT100		1				
270	JM27000013	SAIBA ELASTICA 4 MLT100		1				
271	JM27000027	SURUB M4X10 MLT100		1				
272	JM27000210	WING NUT MLT100		1				
273	JM27000216	STIFT MLT100		1				
274	JM27000213	LOCK KNOB MLT100		1				
275	JM27000024	FLAT WASHER 6 MLT100		1				
276	JM27000220	INSERT MLT100		1				
277	JM27000221	FENCE MLT100		1				
278	JM27000222	SQUARE NECK BOLT M6X30 MLT100		2				
279	JM27000220	INSERT MLT100		1				
280	JM27000223	MITER GUAGE MLT100		1				
281	JM27000215	HANDLE MLT100		1				
282	JM27000212	SAIBA MLT100		1				
283	JM27000211	BIG WASHER 6 MLT100		2				
284	JM27000203	LOCK NUT MLT100		2				
285	JM27000214	SCALE LABEL MLT100		1				
286	JM27000209	SURUB M3X8 MLT100		1				
287	JM27000208	FLAT WASHER 3 MLT100		1				
288	JM27000207	POINTER MLT100		1				
289	JM27000210	WING NUT MLT100		1				
290	JM27000206	SLIDING BAR MLT100		1				
291	JM27000225	PAD MLT100		1				
292	JM27000066	CROSS HEAD SUNK SCREW M4X8 MLT100		2				
293	JM27000205	INSERT MLT100		1				
294	JM27000201	RIP FENCE MLT100		1				
295	JM27000204	SQUARE NECK BOLT M6X60 MLT100		2				
296	JM27000200	INSERT MLT100		1				
297	JM27000149	H.S.BOLT M6X20 MLT100		2				
298	JM27000017	SAIBA ELASTICA 6 MLT100		2				
299	JM27000024	FLAT WASHER 6 MLT100		2				
300	JM27000199	BRACKET MLT100		1				
301	JM27000211	BIG WASHER 6 MLT100		2				
302	JM27000203	LOCK NUT MLT100		2				
303	JM27000198	SURUB M4X8 MLT100		1				
304	JM27000009	FLAT WASHER 4 MLT100		1				
305	JM27000197	POINTER MLT100		1				

Model No.MLT100N 260MM TABLE SAW

cod	cod piesa	descriere	interschimbare	cantitate	New/Old	vanzari	cumparari	nota
306	JM27000190	FRICTION PAD MLT100		1				
307	JM27000066	CROSS HEAD SUNK SCREW M4X8 MLT100		1				
308	JM27000186	HANDLE MLT100		1				
309	JM00000148	RIP FENCE BRACKET ASSY		1				
D10		INC. 310-319						
310	JM27000192	BRACKET MLT100		1				
311	JM27000191	STIFT MLT100		1				
312	JM27000024	FLAT WASHER 6 MLT100		1				
313	JM27000196	SURUB MLT100		1				
314	JM27000188	STIFT MLT100		1				
315	JM27000187	STIFT 3X30 MLT100		1				
316	JM27000189	ECCENTRIC WHEEL MLT100		1				
317	JM27000194	PAW MLT100		1				
318	JM27000024	FLAT WASHER 6 MLT100		1				
319	JM27000193	PRESSION SPRING MLT100		1				
320	JM27000325	SIGURANTA		1				
321	JM27000324	ANGRENAJ		1				
322	JM27000321	ARBORE		1				
323	JM27000320	RETAINING RING 35 MLT100		1				
324	JM27000319	BEARING 6003-2Z MLT100		1				
325	JM27000318	CAPAC ANGRENAJ		1				
326	JM27000317	CROSS HEAD SUNK SCREW M5X16 MLT100		3				
327	JM27000323	PANA		1				
328	JM27000294	CAPAC PERII		2				
329	JM23000123	PERII CARBON LS1018L		1				
330	JM00000150	MOTOR HOUSING ASSY		1				
331	JM27000361	INEL AMORTIZOR		1				
332	JM27000445	BEARING 6001DDW MLT100		1				
333	JM27000302	STATOR		1				
334	JM27000155	FLAT WASHER 5 MLT100		2				
335	JM27000305	CROSS HEAD SELF TAPPING SCREW MLT100		2				
336	JM27000309	ROTOR(230V)ASSEMBLY MLT100		1				
D10		INC. 331,332,337						
337	JM27000446	BEARING 6201DDW MLT100		1				
338	JM27000313	INEL		1				
339	JM27000424	GEAR BOX ASSEMBLY MLT100		1				
340	JM27000155	FLAT WASHER 5 MLT100		4				
341	JM27000048	SAIBA ELASTICA 5 MLT100		4				
342	JM27000316	SURUB M5X35 MLT100		4				
343	JM27000292	SURUB M5X8 MLT100		2				

Please order the parts with part number.

Print Date 17/1/2022

Model No.MLT100N 260MM TABLE SAW

cod	cod piesa	descriere	interschimbare	cantitate	New/Old	vanzari	cumparari	nota
344	JM27000155	FLAT WASHER 5 MLT100		2				
345	JM27000293	COVER MLT100		1				
346	JM00000156	VINYL TUBE		1				
347	JM27000299	CLAMP PLATE MLT100		1				
348	JM27000009	FLAT WASHER 4 MLT100		2				
349	JM27000004	CROSS HEAD SELF TAPPING SCREW MLT100		2				
350	JM00000379	SLIDING TABLE ASSEMBLY		1				
D10		INC. 215-265						
A01	JM00000045	PUSHU STICK		1				
A02	JM27000087	WRENCH B MLT100		2				
A03	JM27000329	WRENCH MLT100		1				
A04	JM27000328	ECHER		1				

Please order the parts with part number.

Print Date 17/1/2022