



Model HW 111

Version: **Option 4**

Serial number: **Week 49 of 2011**

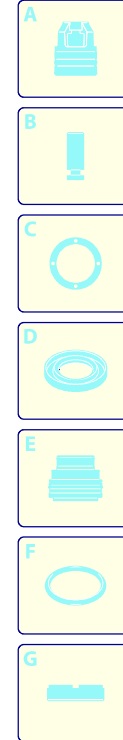
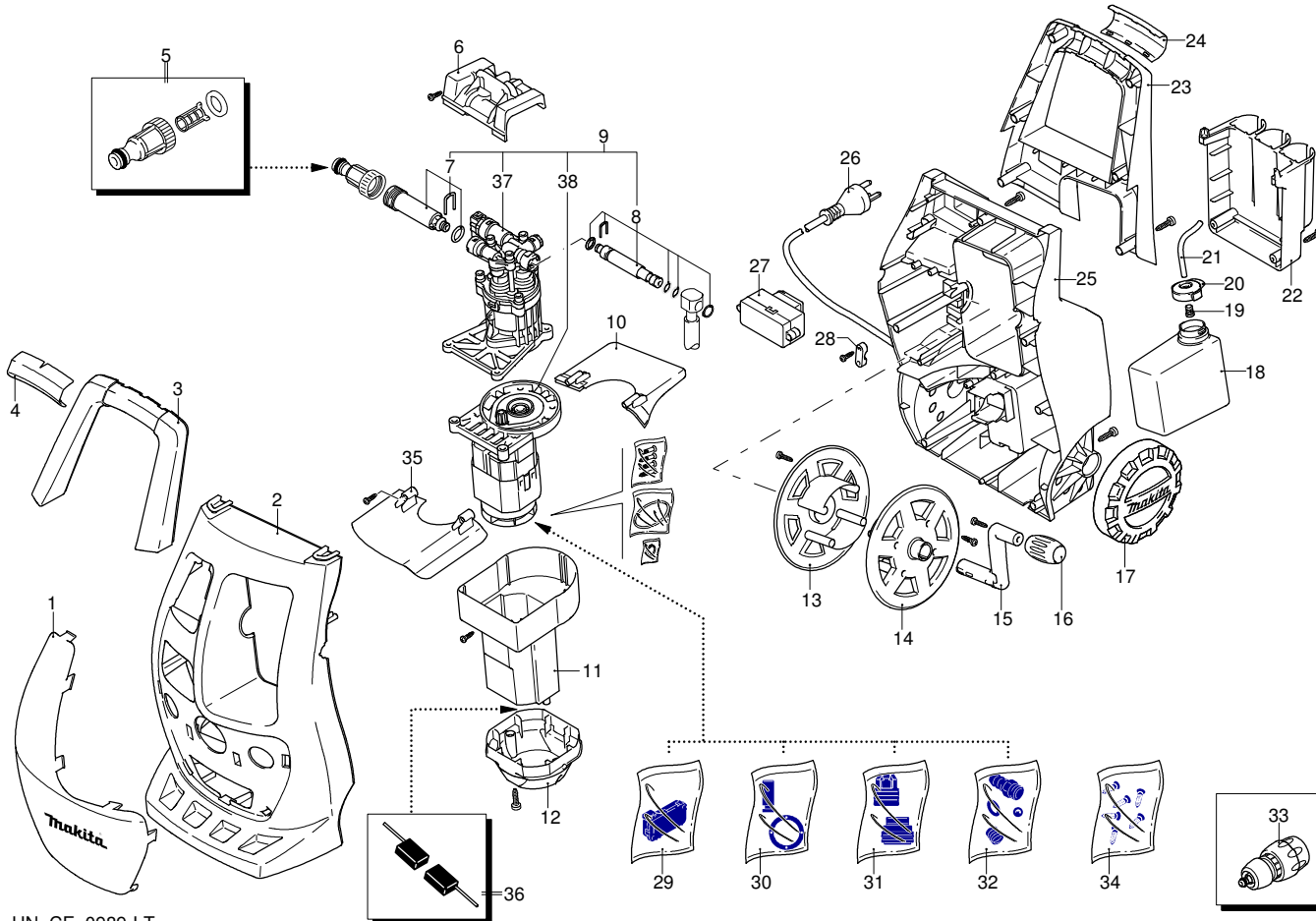
Code: **13143**

20/11/2012

240 V - 50 Hz

AS / NZS

Vezi informatie pentru pozitia 9 mai jos



Validity	Pos.	Code	Description	Q
	1	3640240	Green guard	1
	2	3640200	Casing	1
	3	3640220	Handle	1
	4	3640340	Knob	1
	5	3082130	Water coupling kit	1
	6	3640290	Support	1
	7	3640580	Suction kit	1
	8	42693	Delivery kit	1
	9	3641580	Electric pump assembly	1
	10	3640330	Support	1
	11	3640310	Conveyor	1
	12	3320910	Cover	1
	13	3640250	Plate	1
	14	3640260	Plate	1
	15	3640270	Lever	1
	16	3640280	Knob	1
	17	3640760	Wheel	2
	18	3640380	Tank	1
	19	3440720	Filter	1
	20	3640390	Plug	1
	21	3640680	Detergent hose	1
	22	3640370	Accessories carrier	1
	23	3640230	Handle	1
	24	3640980	Knob	1
	25	3640210	Base	1
	26	3641050	Cable	1
	27	3640750	Switch	1
	28	3320200	Cable gland	1
	29	3640720	TSS kit	1
	30	3640710	Piston + seals kit	1
	31	3640550	Water seal kit	1
	32	3640740	Detergent suction kit	1
	33	3082661	Quick coupling	1
	34	3640690	Screw kit	1
	35	3640331	Support	1
	36	3641000	Brush kit for motor	1
	37	3641770	Pump assembly	1
	38	3641820	Motor	1

UN_CE_0989-LT



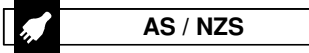
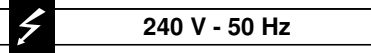
Model HW 111

Version: Option 4

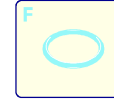
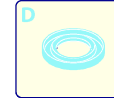
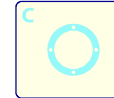
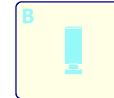
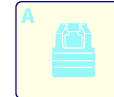
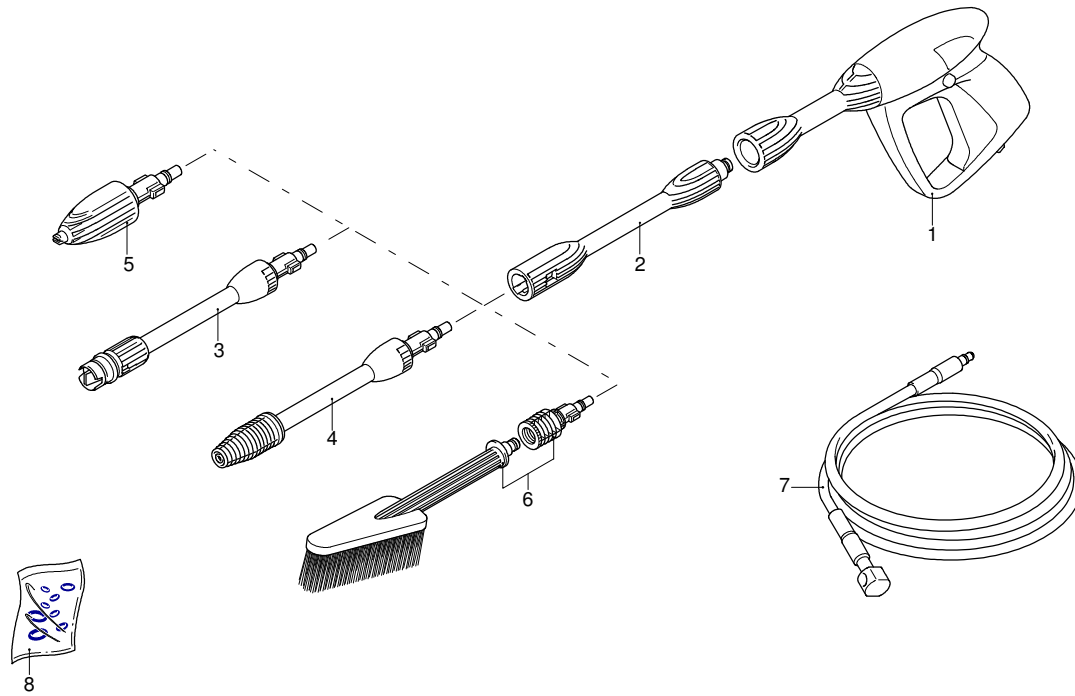
Serial number: Week 49 of 2011

Code: 13143

20/11/2012



Validity	Pos.	Code	Description	Q
	1	3320152	Gun	1
	2	3320130	Extension	1
	3	3640650	Lance+lance head	1
	4	3320120	Lance+rotopower	1
	5	3640670	Lance head	1
	6	3640950	Fixed brush	1
	7	3641590	High pressure hose	1
	8	3641140	Gasket kit	1

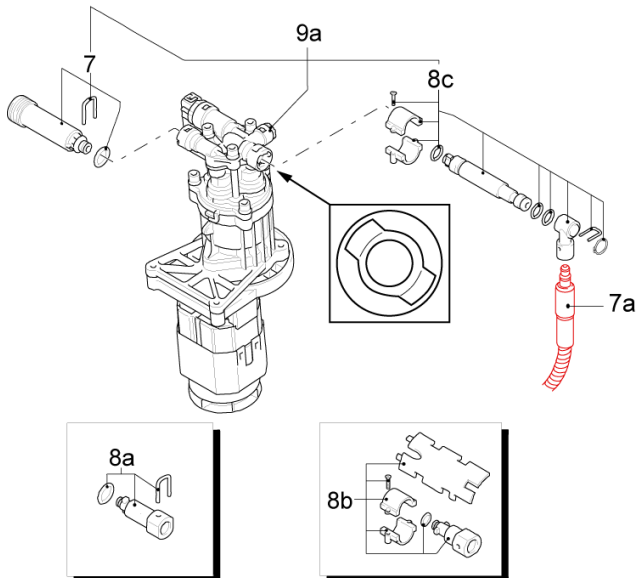
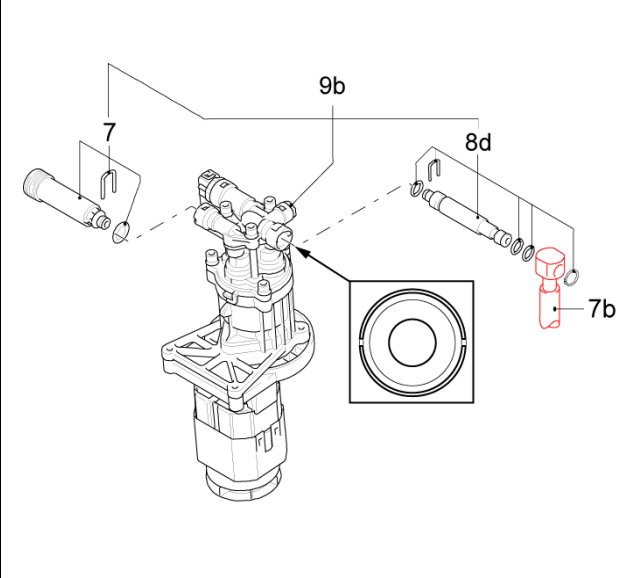


Subject Outlet pump improvement

For model HW111

Country Worldwide

Description The pump outlet has been changed to a new system. An according conversion could be required in case of repair.

Version until Nov 2011	Version from Dec 2011
	
Old version: The pump outlet is equipped with a bayonet closure, high pressure hose with clamp connection	New version: The Pump outlet is equipped with a clamp connection to the pump, the high pressure hose with swivel coupling

Pos.	Q'ty	Old part	Description	I/C	Pos.	Q'ty	New part	Description	Remark
7a	1	364 0660	High pressure hose 5,5 m	No	7b	1	364 1590	High pressure hose 5,5 m	Interchangeable as a set with 9b
7	1	364 0580	Inlet pump kit	./.	7	1	364 0580	Inlet pump kit	Remains unchanged
9a	1	364 0700	Electric pump assembly =>2011-11	No	9b	1	364 1580	Electric pump assembly 2011-12 =>	Interchangeable as a set with 7b
8a + 8b	1	42 663	Outlet pump kit	Yes ←	8c	1	42 700	Outlet pump kit	
8c	1	42 700	Outlet pump kit	No	8d	1	42 693	Outlet pump kit	Interchangeable as a set with 9b and 7b

(I/C) The arrow ← shows, old part can only be replaced by new part.

HW111**KIT ETANŞARE + VALVE COD 3640550**

SUPPORT RING	3
WATER SEALS	3
INLET VALVES	3
INLET O RING	3
OUTLET VALVES	3
OUTLET O-RING	3
ONE WAY VALVE W/2 ORING	1

**KIT PISTOANE + RULMENT - COD 3640710**

Piston return spring	3
Piston 12mm	3
Piston spring lock	3
Bearing 51105	1
Wobble plate 10.4°	1
O-ring 61.5*1.9 NBR80	1
Oil sealing (12*20*5.5)	3

**KIT TSS COD 3640720**

TSS PISTON	1
PISTON SITE	1
O-RING	1
NUT	1
TSS BOX	1

**KIT INTRARE COD3640580**

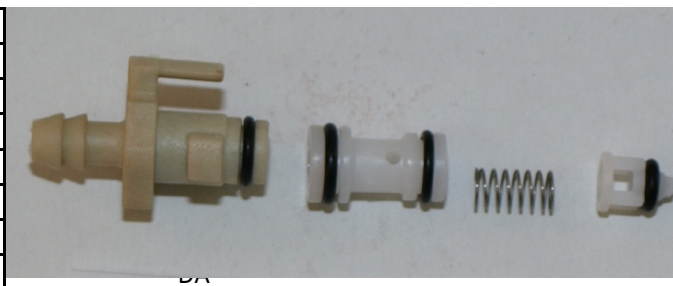
Inlet extension	1
O-ring 8*1.8 NBR90	1

**KIT IESIRE NOU COD 42663**

U-pin for pump outlet connector	1
Pump outlet connector	1
O-ring 8*1.8 NBR90	1

KIT DETERGENT COD 3640740

Outlet one way valve spring	1
Outlet one way valve	1
O-ring 2.8*1.8 NBR90	1
O-ring 5*1.5 NBR90	1
Injector adaptor	1
O-ring 5.6*1.8 NBR90	1
Pump head	1
O-ring 5*1.5 NBR90	1



ANS. POMPA COMPLETA

COD 3641770



ANS. MOTOR COMPLET

COD 3641820

