



Model HW 102

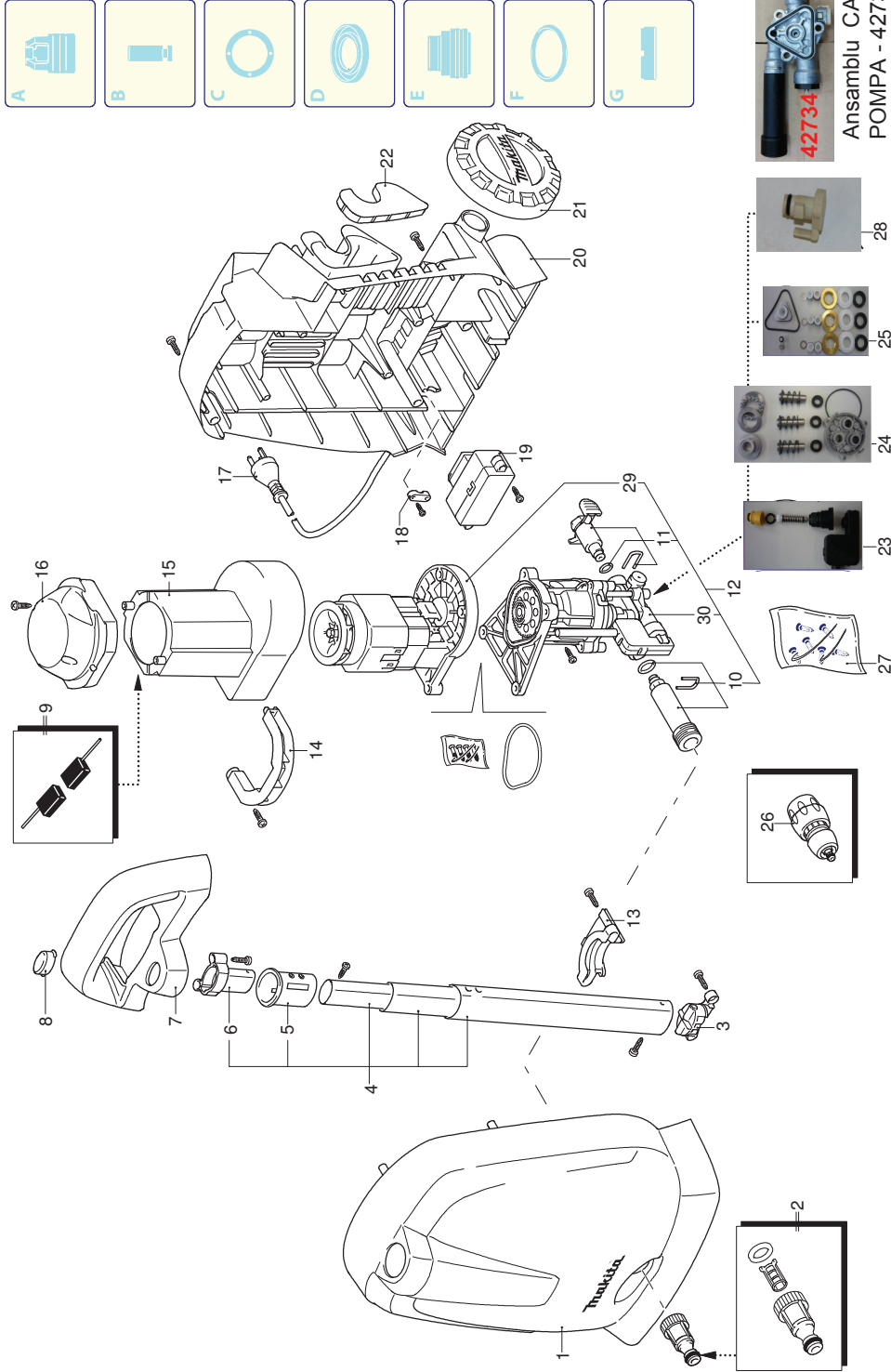
20/11/2012

Version:

Serial number: From week 01 of 2012

Code: 13142

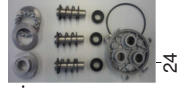
240 V - 50 Hz



Motor
Poz 29, cod 3641810



Ans. POMPA COMPLETA
Poz. 30, cod 3641760



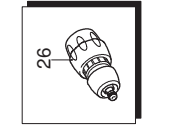
24



25



26



27



28



Ansamblo CAPAC
POMPA - 42734

Validity	Pos.	Code	Description	Q
	1	3640010	Green casing	1
	2	3082130	Water coupling kit	1
	3	3640050	Lock	1
	4	3640530	Extension	1
	5	3640190	Lock	1
	6	3640060	Lock	1
	7	3640030	Handle	1
	8	3640040	Plug	1
	9	3641160	Brush kit for motor	1
	10	3640580	Suction kit	1
	11	3641650	vezi info mai jos	1
	12	3640540	Electric pump assembly	1
	13	3640080	Bracket	1
	14	3640180	Bracket	1
	15	3640160	Conveyor	1
	16	3640170	Cover	1
	17	3641020	Cable	1
	18	3320200	Cable gland	1
	19	3320440	Switch	1
	20	3640020	Base	1
	21	3640620	Wheel	2
	22	3320054	Accessories carrier	1
	23	3640570	TSS kit	1
	24	3640560	Piston + seals kit	1
	25	3640550	Water seal kit	1
	26	3082661	Quick coupling	1
	27	3640610	Screw kit	1
	28	3640600	Detergent plug kit	1
	29	3641810	Motor	1
	30	3641760	Pump assembly	1



Model HW 102

Version:

From week 01 of 2012

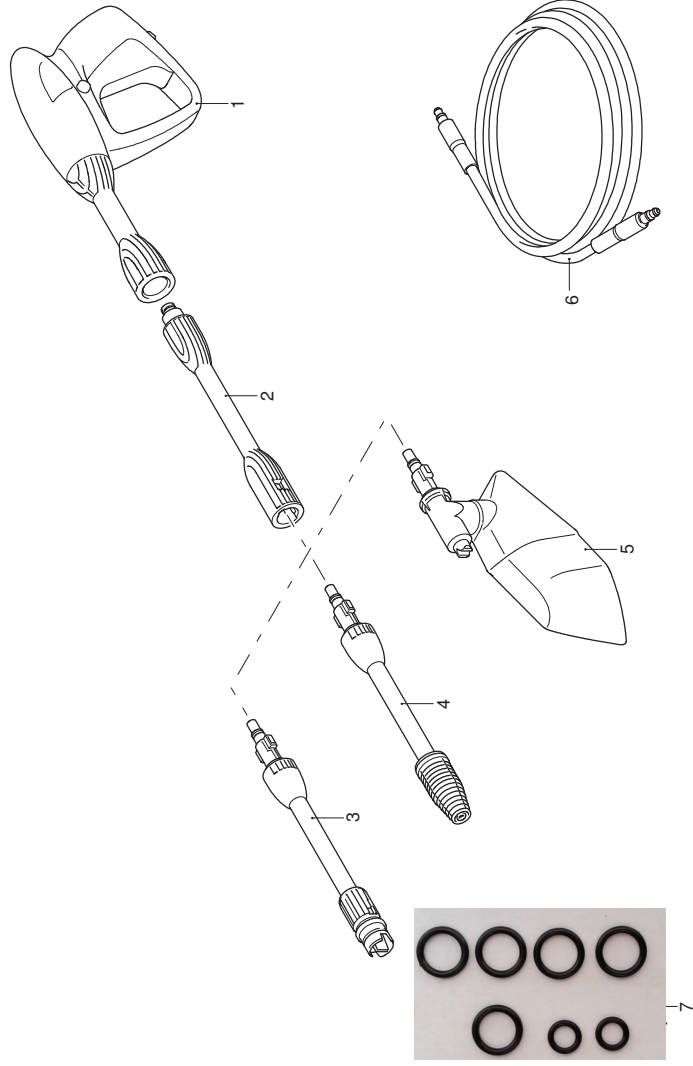
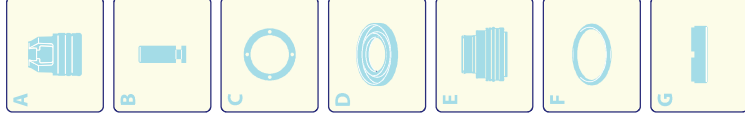
Serial number:

Code: **13142**

20/11/2012



240 V - 50 Hz



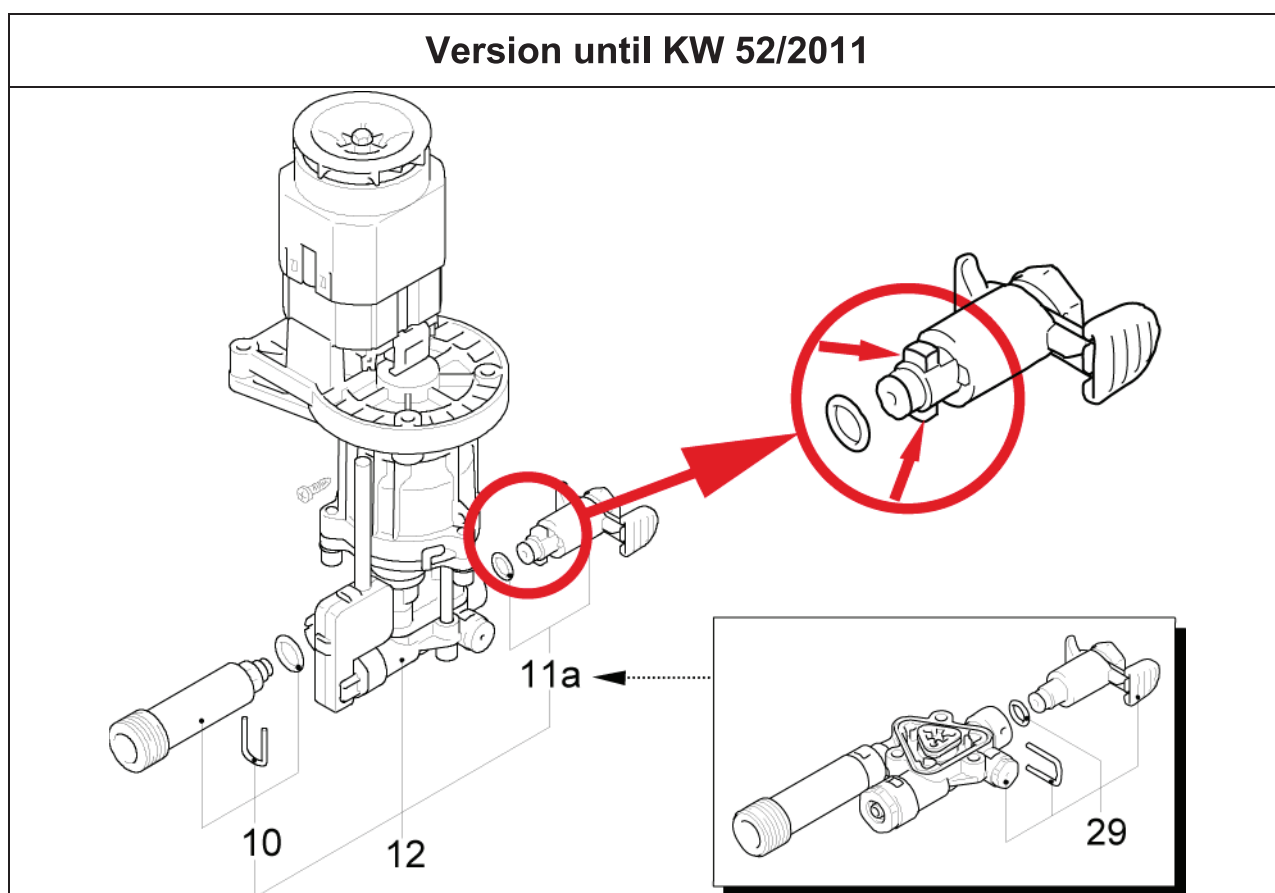
Validity	Pos.	Code	Description	Q
	1	3320152	Gun	1
	2	3320130	Extension	1
	3	3640640	Lance+lance head	1
	4	3320120	Lance+rotopower	1
	5	3640090	Tank	1
	6	3640630	High pressure hose	1
	7	3641140	Gasket kit	1

Subject Outlet pump kit

For model HW102

Country Worldwide

Description The pump outlet has been changed to a new system. If repair is needed, the pump outlet has optionally to be converting to the new pump repair kit.

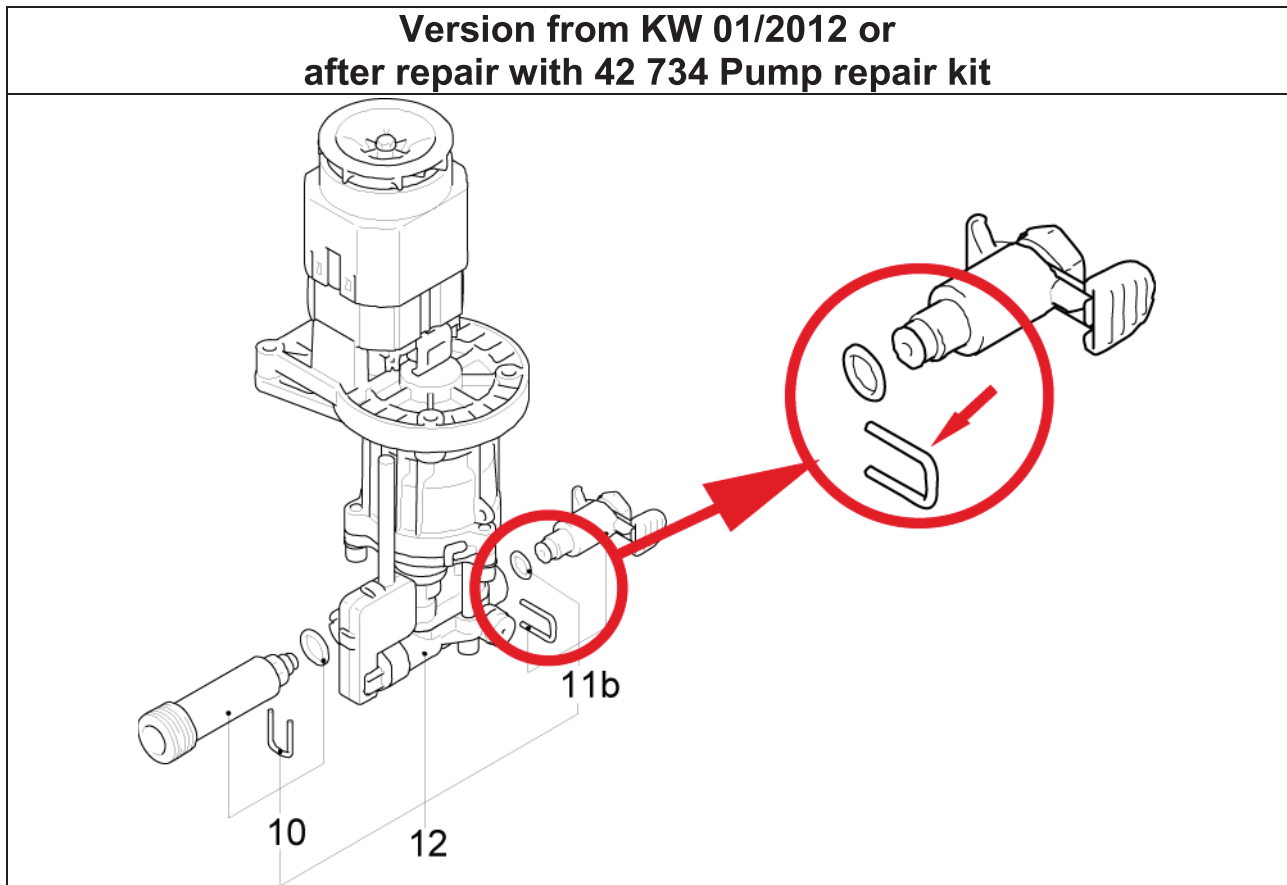


Old Version: The pump outlet is used with a bayonet connection to the pump

Pos. No.	Q'ty	Old part	Description	I/C	Pos. No.	Q'ty	New part	Description
11a	1	364 0590	Outlet pump kit	← Yes	29	1	42 734	Pump repair kit

(I/C) The arrow ← shows, old part can only be replaced by new part.

If the outlet pump kit 364 0590 is discontinued, the pump repair kit 42 734 has to be used.



New Version: Pump outlet is hold in position with a clamp

Pos No.	Part number	Q'ty	Description
11b	364 1651	1	Outlet pump kit

Remark

Please do not focus only on the year of manufacturing, but also to the present design version.

TIP: Generally, keep the o-rings of the quick couplings and the lances always slightly greased!