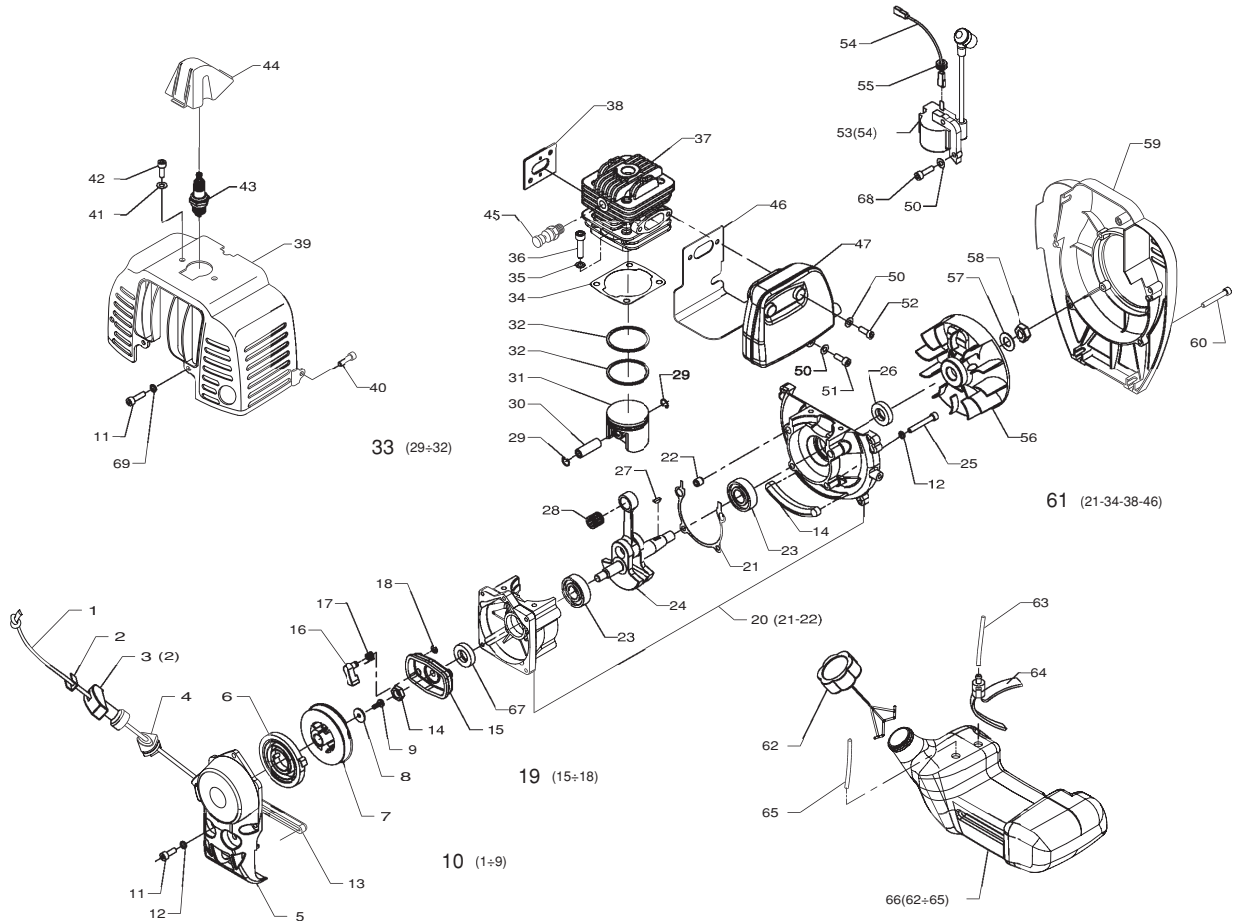


Fig. 1

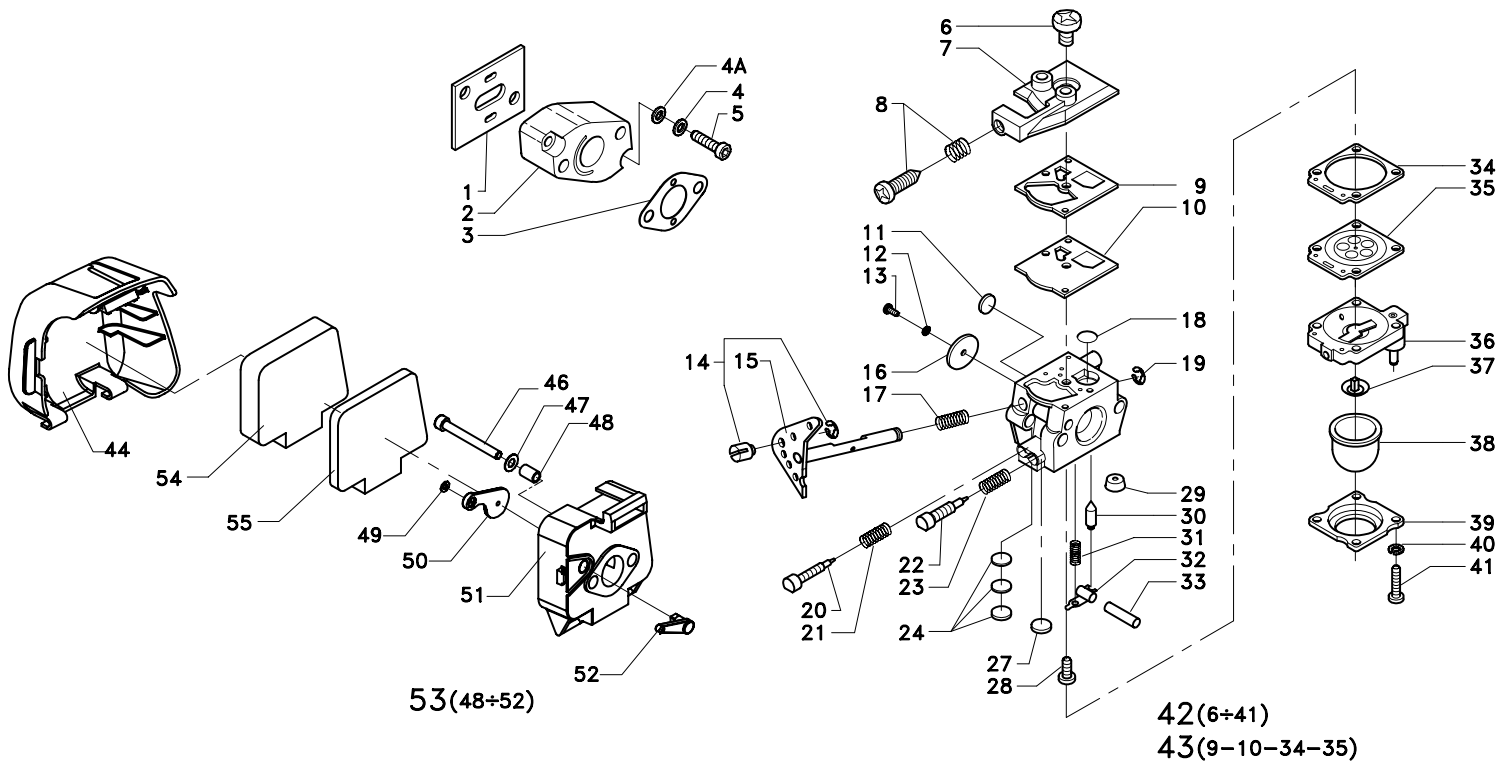


REF. NO.	PART. NO.	QUANTITY	NOTE
		BBA 520	
1	630070	1	
2	510190	1	
3	724740	1	
4	541310	1	
5	480650	1	
6	180240	1	
7	541320	1	
8	090720	1	
9	030800	1	
10	721420	1	
11	030210	5	
12	090150	7	
13	541340	2	
14	060370	1	
15	480900	1	
16	541330	2	
17	180200	2	
18	120160	2	
19	722460	1	
20	721430	1	
21	240260	1	
22	420200	2	
23	270070	2	
24	751600	1	
25	030620	4	
26	240030/A	1	
27	420030	1	
28	270050	1	
29	150040	2	
30	420040	1	
*31	480750		
*	480710		
*	480720	1	
*	480970		
32	150270		
	150240		
	150250	2	
	150350		
*33	721580		
*	721350		
*	721360	1	
*	723100		

REF. NO.	PART. NO.	QUANTITY	NOTE
		BBA 520	
34	240270	1	
35	090620	4	
36	030630	4	
*37	480740		
*	480630		
*	480640	1	
*	480960		
38	240290	1	
39	480670	1	
40	030800	1	
41	090840	2	
42	030610	2	
43	450180	1	
44	542030	1	
45	752340	1	
46	240430	1	
47	750860	1	
50	090830	5	
51	030680	1	
52	030120	2	
53	450930	1	
54	450340	1	
55	541510	1	
56	450280	1	
57	091000	1	
58	060300	1	
59	480680	1	
60	030350	4	
61	240380	1	
62	723730	1	
63	542460	1	
64	330820	1	
65	542500	1	
66	723360	1	
67	240370/A	1	
68	031150	2	
69	090830	2	

Per ordinazioni di particolari con * precisare sempre la sigla di selezione A-B-C-D.
When ordering parts indicated with * always specify code letter A-B-C-D.

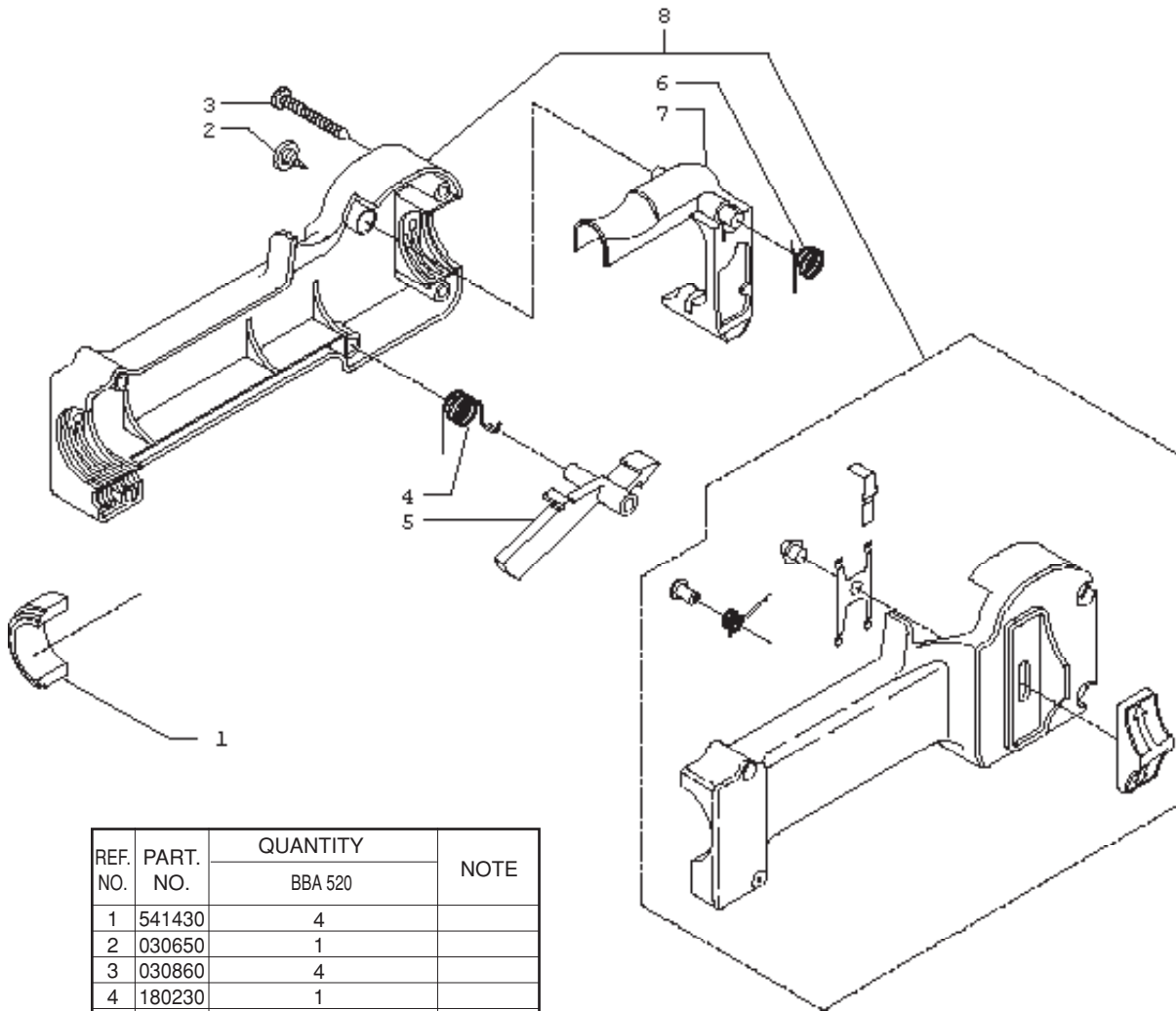
Fig. 2



REF. NO.	PART. NO.	QUANTITY	
		BBA 520	Note
1	240290	1	
2	541270	1	
3	240130	1	
4	090800	2	
4A	090780	2	
5	030070	2	
6	96-166	1	
7	21-353	1	
8	96-369	1	
9	92-225	1	
10	95-118	1	
11	88-131	1	
12	-----	-	
13	96-475	1	
14	52-548	1	
15	30-1445	1	
16	34-158	1	
17	98-234	1	
18	140-70	1	
19	16-73	1	
20	102-3753	1	
21	98-356	1	
22	102-3753	1	
23	98-356	1	
24	86-3090	1	
27	88-171	1	
28	96-156	1	

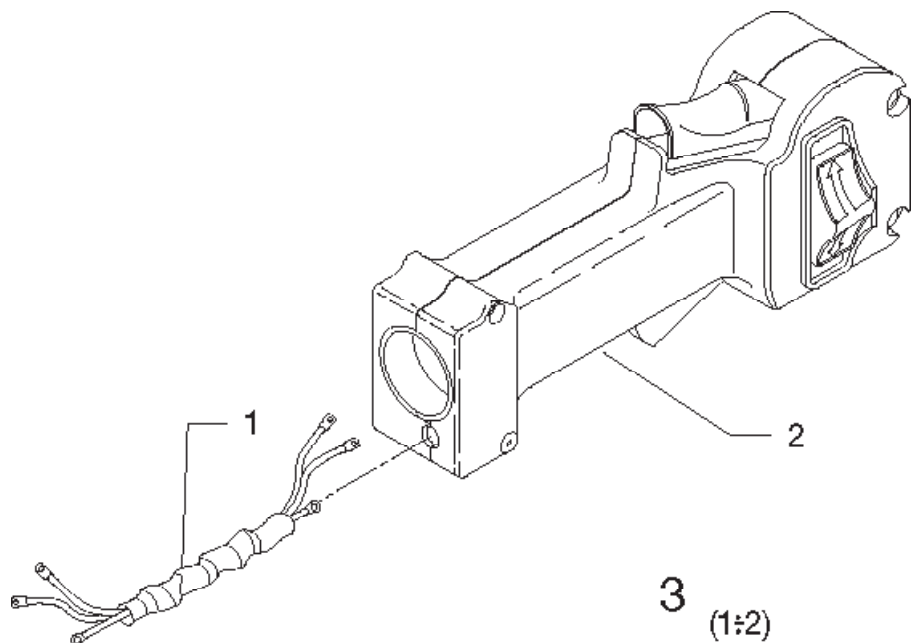
REF. NO.	PART. NO.	QUANTITY	
		BBA 520	Note
29	84-613	1	
30	82-75	1	
31	98-3249	1	
32	166-48	1	
33	144-77	1	
34	92-251	1	
35	95-526	1	
36	5-2782	1	
37	-----	-	
38	188-12	1	
39	21-404	1	
40	090190	4	
41	96-578	4	
42	331650A	1	
43	D10-WAT	1	
44	543910	1	
46	031350	2	
47	090830	2	
48	091630	2	
49	120270	1	
50	543940	1	
51	544200	1	
52	543930	1	
53	725350	1	
54	332270	1	
55	332260	1	

Fig. 3



REF. NO.	PART. NO.	QUANTITY		NOTE
		BBA 520		
1	541430	4		
2	030650	1		
3	030860	4		
4	180230	1		
5	541410	1		
6	180220	1		
7	541400	1		
8	750890	1		

REF. NO.	PART. NO.	QUANTITY	
		BBA 520	
1	752040	1	
2	721450	1	
3	723090	1	



ACCESSORIES

Description	code
-------------	------

**SPIRAL AUGERS
FOR BBA 520**



EXTRA Series	ø mm	80x800	720020
EXTRA Series	ø mm	100x800	720040
EXTRA Series	ø mm	120x800	720070
EXTRA Series	ø mm	150x800	720170
EXTRA Series	ø mm	180x800	720210
EXTRA Series	ø mm	200x800	720350

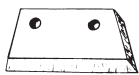
**EXTENSION
FOR BBA 520**



Without spiral, length 400 mm	750360
-------------------------------	--------

**DIGGING CUTTERS FOR AUGERS
NEA BBA 520**

Tempered steel



For augers with ø	mm 80	600470
For augers with ø	mm 100	600160
For augers with ø	mm 150	600170
For augers with ø	mm 200	600180
For augers with ø	mm 250	600190
For augers with ø	mm 300	600200
For augers with ø	mm 350	600210
For augers with ø	mm 400	600220

DRILLS FOR AUGERS

Tempered steel

For BBA 520	750750
-------------	--------

